

1

2

3

4

5

6

D

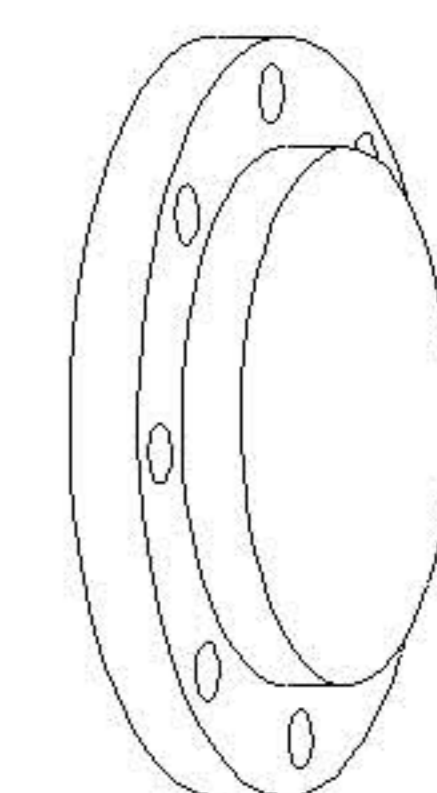
D

C

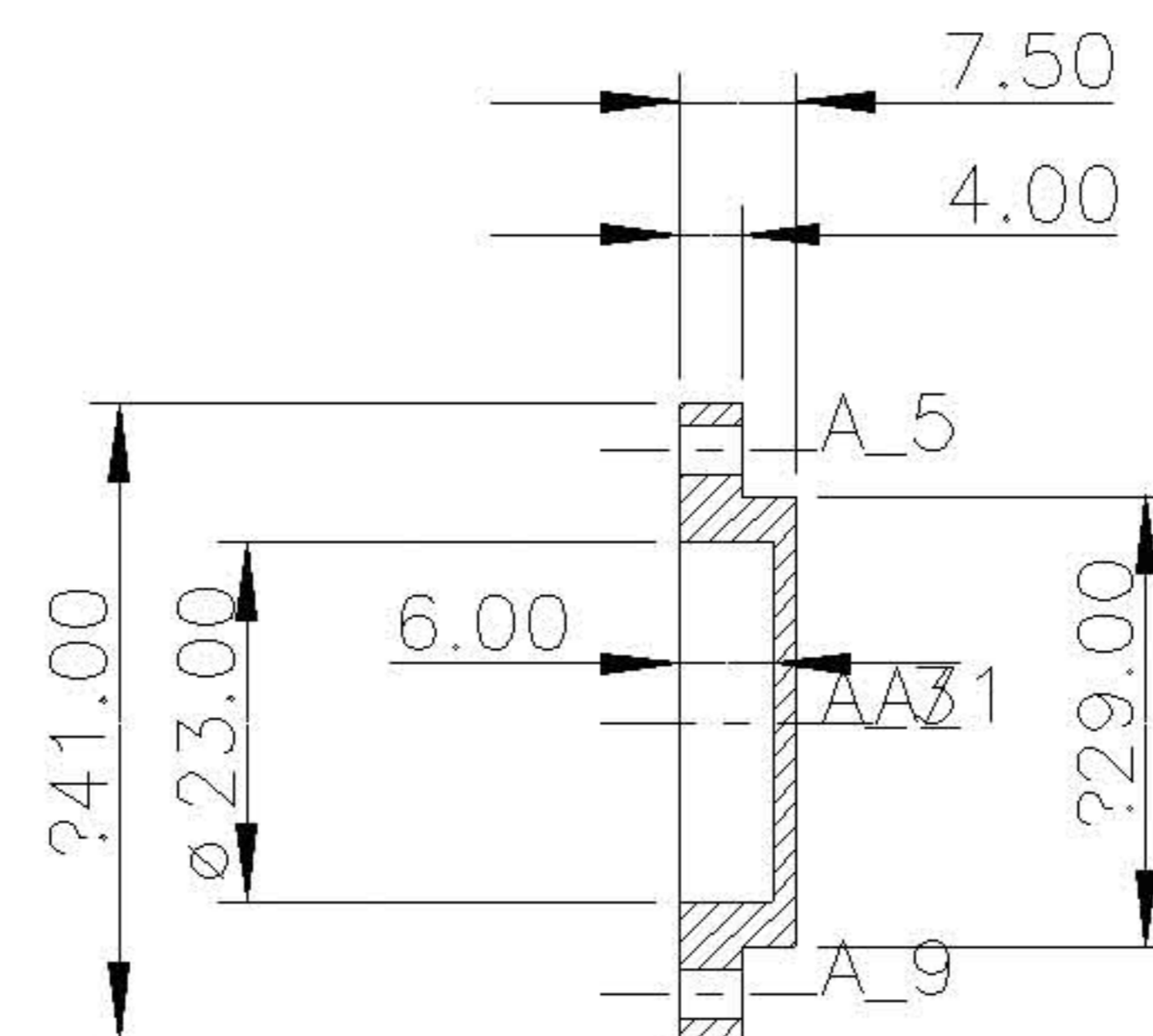
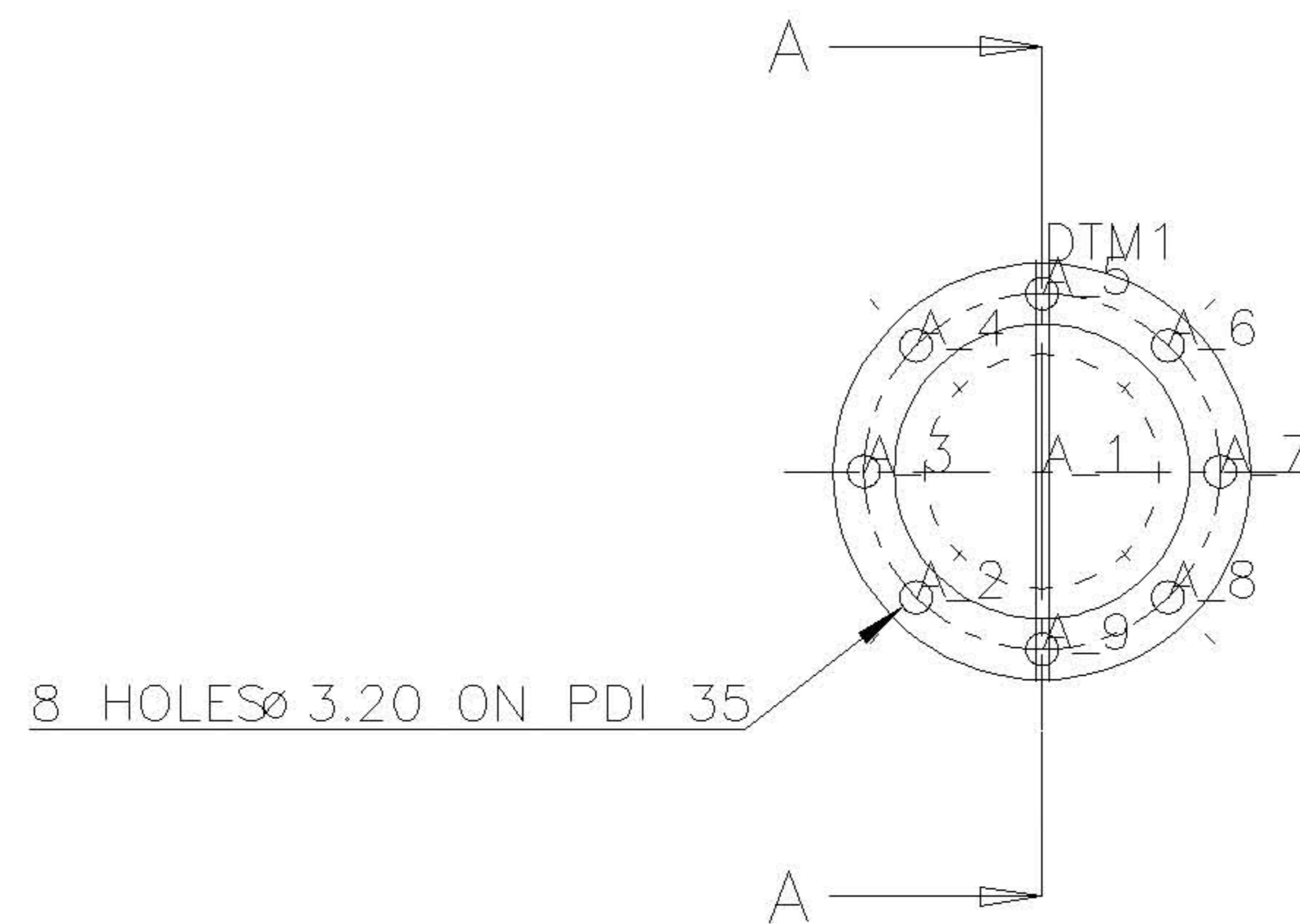
C

B

B



SCALE 1:1



SECTION A-A

—	—	—	—	—	—	—	—	Draw stand.: NS (CORRESP. ISO)	Material: LEAD BRONZE JM 14	THIS DRAWING SHALL NOT BE COPIED OR COMMUNICATED TO ANY THIRD PERSON WITHOUT CONSENT FROM PROTOTECH A.S. N-5036 FANTOFT NORWAY.		Scale: 1:1	Org. format: A3
—	—	—	—	—	—	—	General tol.: NS ISO 2768-1	Mat. cert.:	Draw. no.:				
—	—	—	—	—	—	—	Surf. rough.:	Proj.:	97621_01_04_07_PRT_A				
A	FIRST DRAWING	971107	PH	ASI	—	RR	RDS	Title: NOT – NORDIC OPTICAL TELESCOPE RETAINER PART DRAWING					
Issue:	Status/Change:	Date:	Constr:	Drawn:	Check:	Prod:	App.:						

1

2

3

4

5

6

A

A