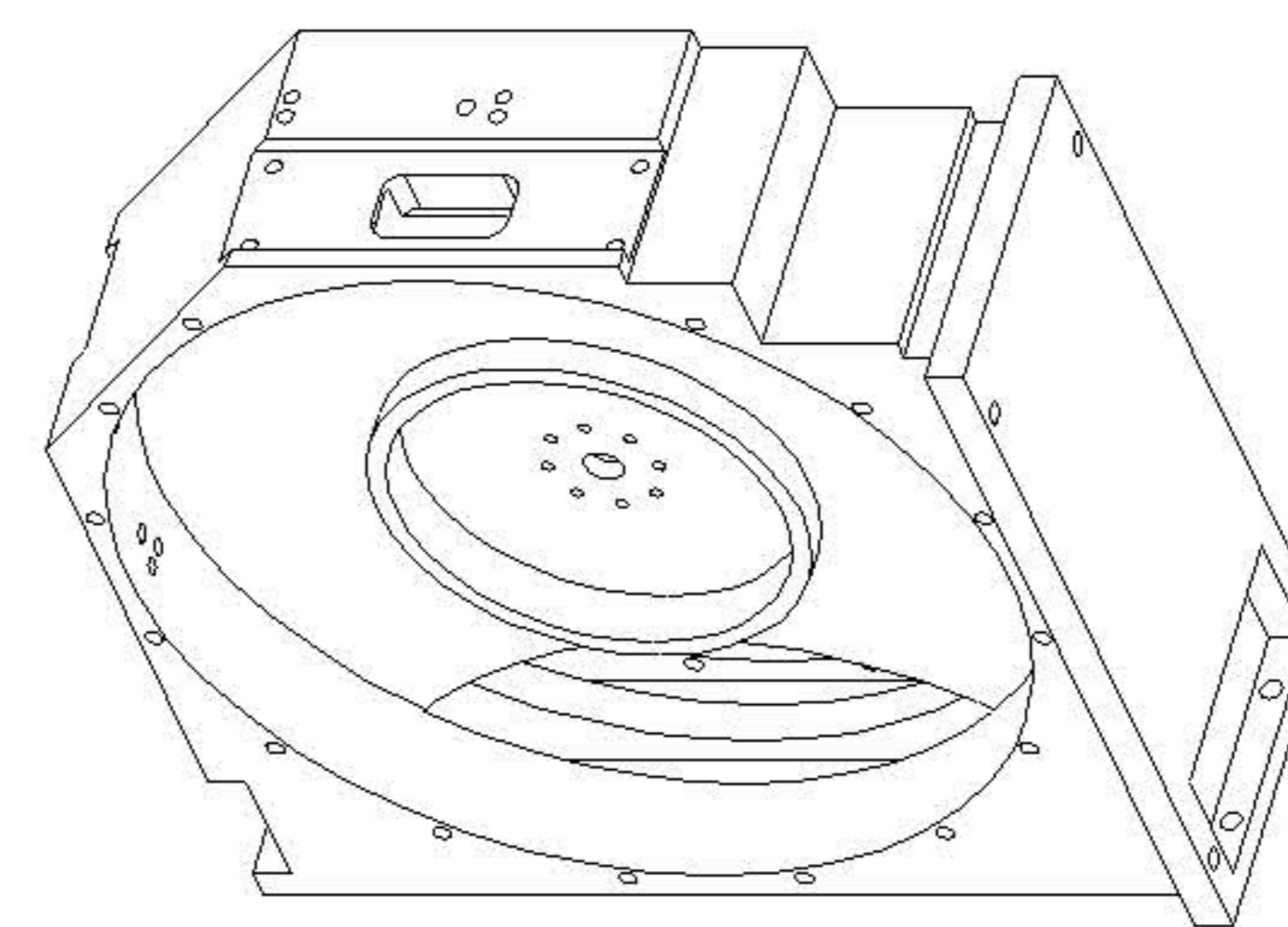
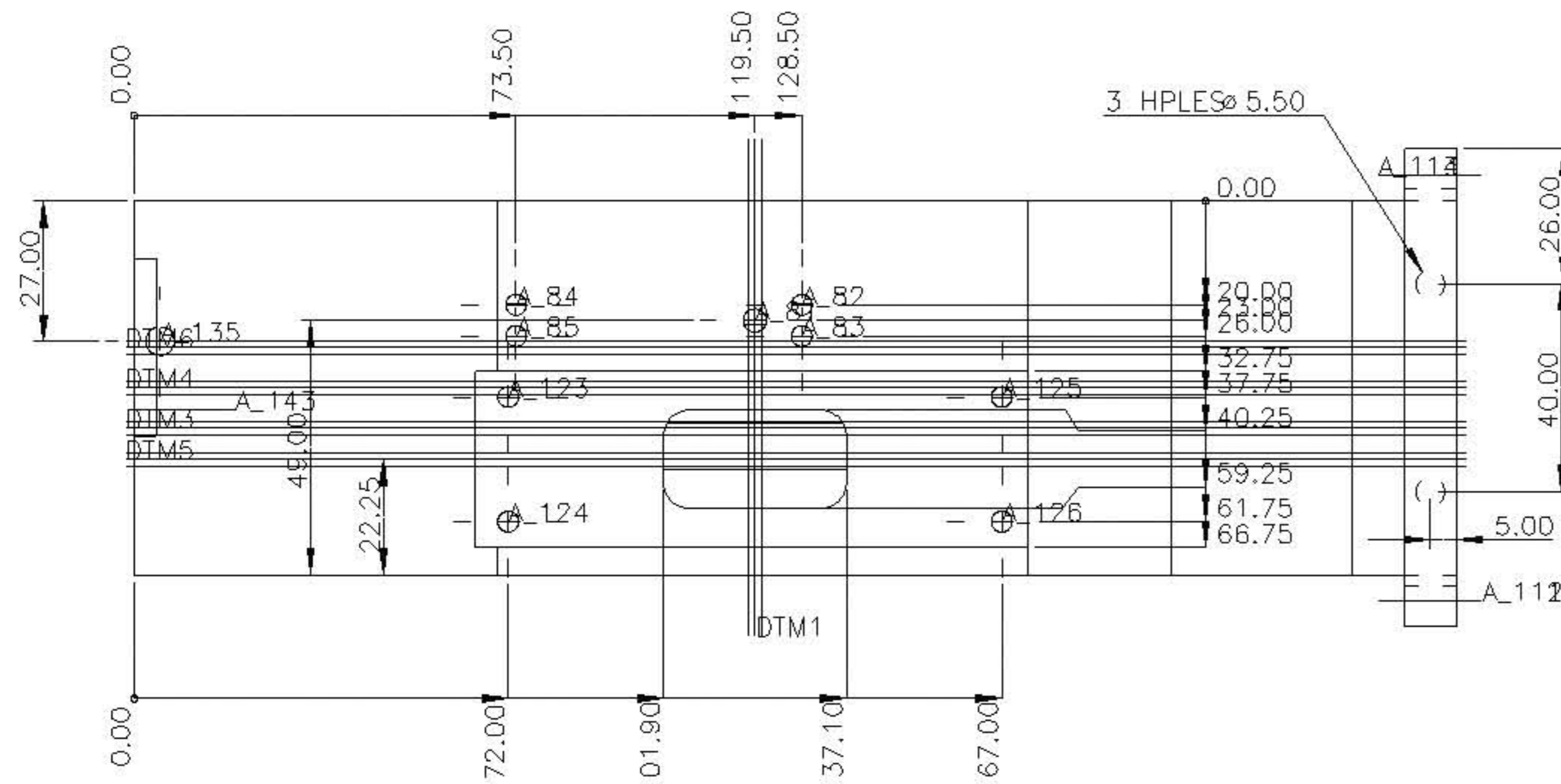
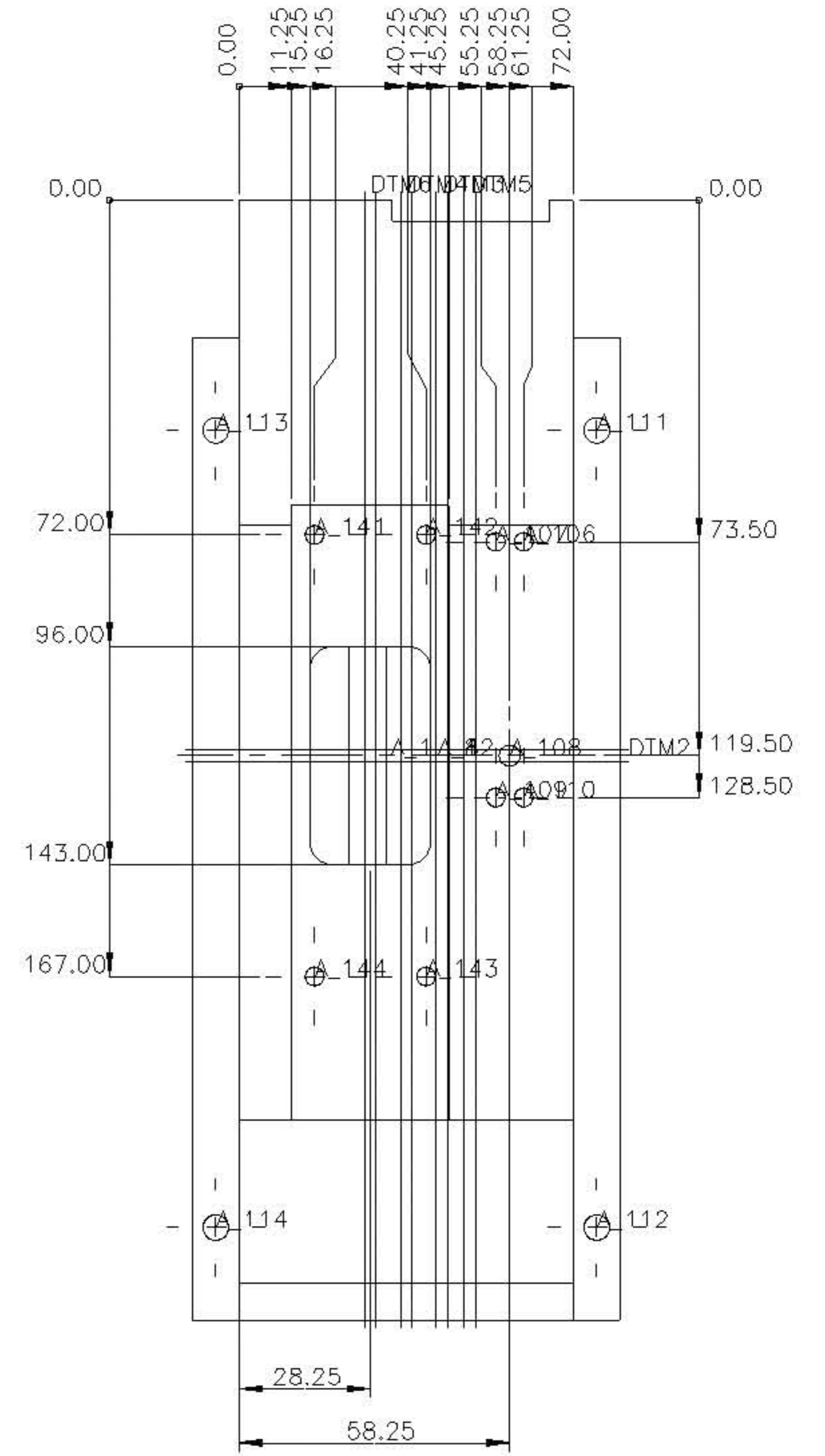
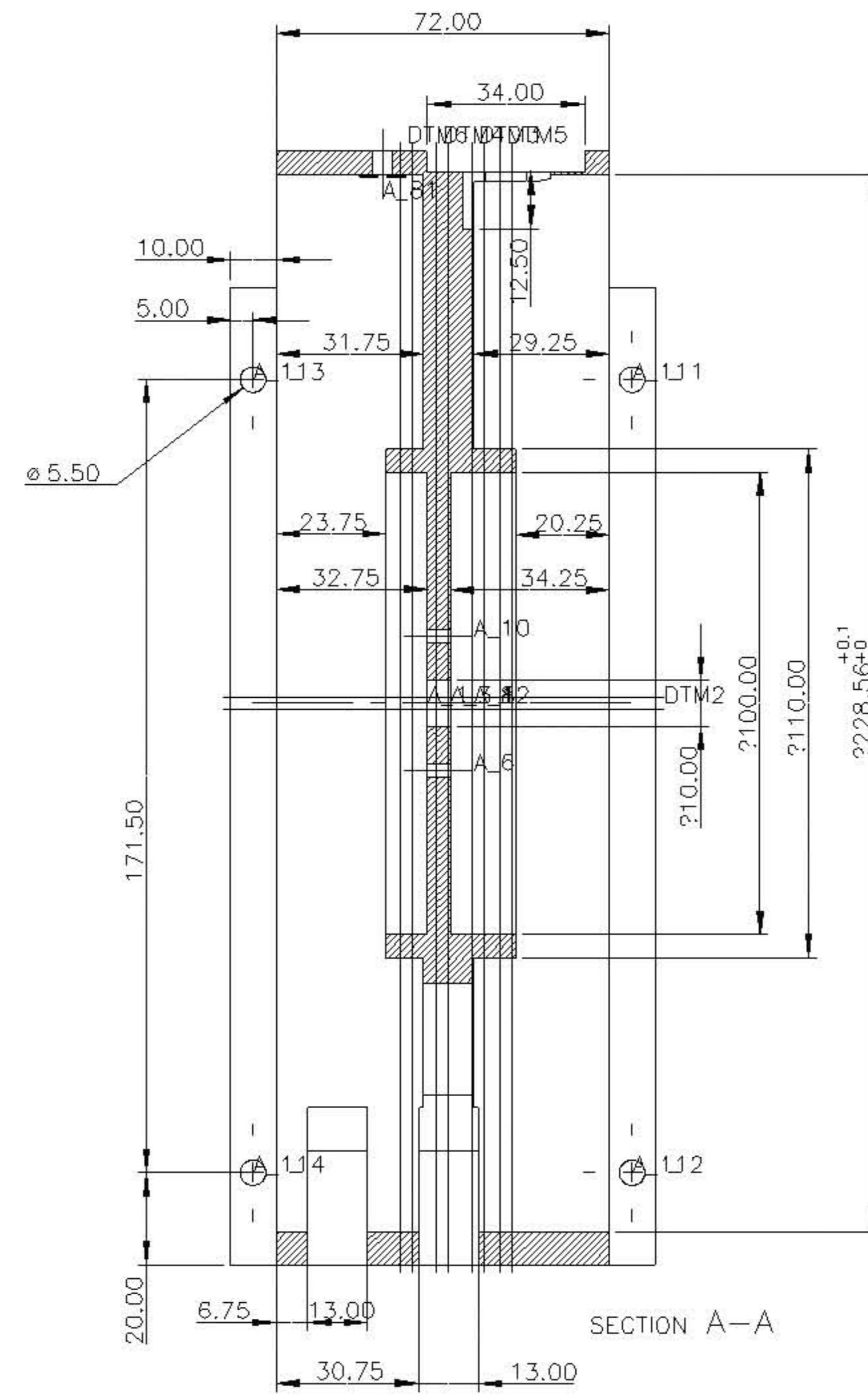
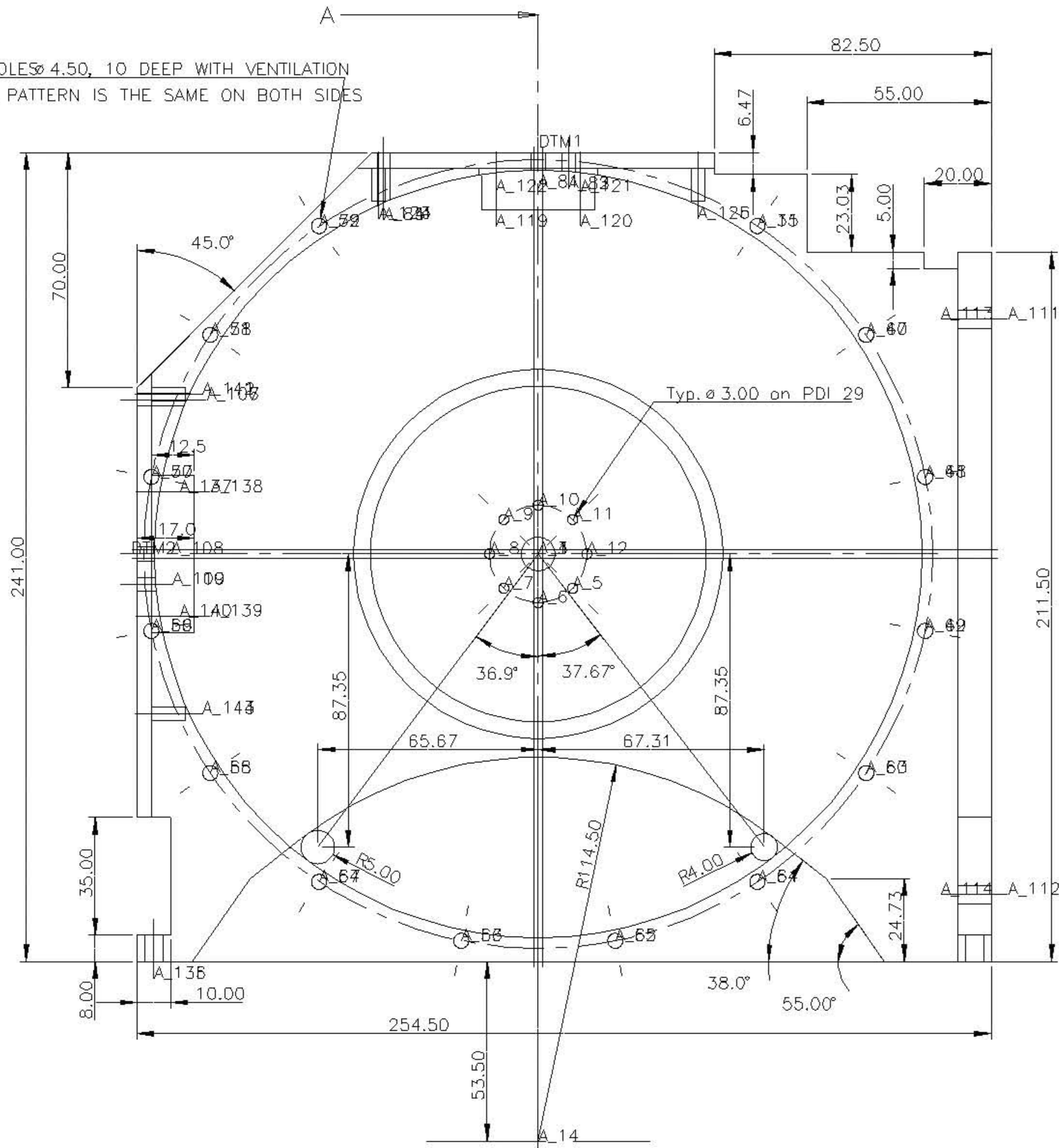


14 HOLES  $\varnothing$  4.50, 10 DEEP WITH VENTILATION HOLE PATTERN IS THE SAME ON BOTH SIDES



SCALE 1:2

Issue:	Status/Change:	Date:	Constr:	Drawn:	Check:	Prod:	App.:	
Draw stand.:	Material:	THIS DRAWING SHALL NOT BE COPIED OR COMMUNICATED TO ANY THIRD PERSON WITHOUT CONSENT FROM PROTOTECH A.S. N-5036 FANTOFT NORWAY.						
General tol.:	Mat. cert.:							
Surf. rough.:	Proj.:							
Scale:	Org. format:							
Title: NOT - NORDIC OPTICAL TELESCOPE MIDDLE SECTION A PART DRAWING							Scale: 1:1	Org. format: A1
Draw. no.:							97621_01_04_05_PRT_A	