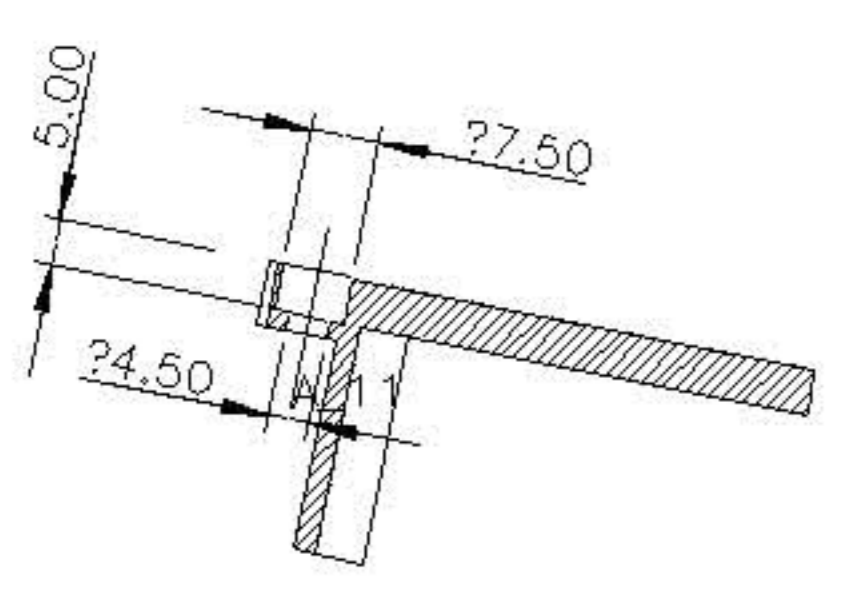
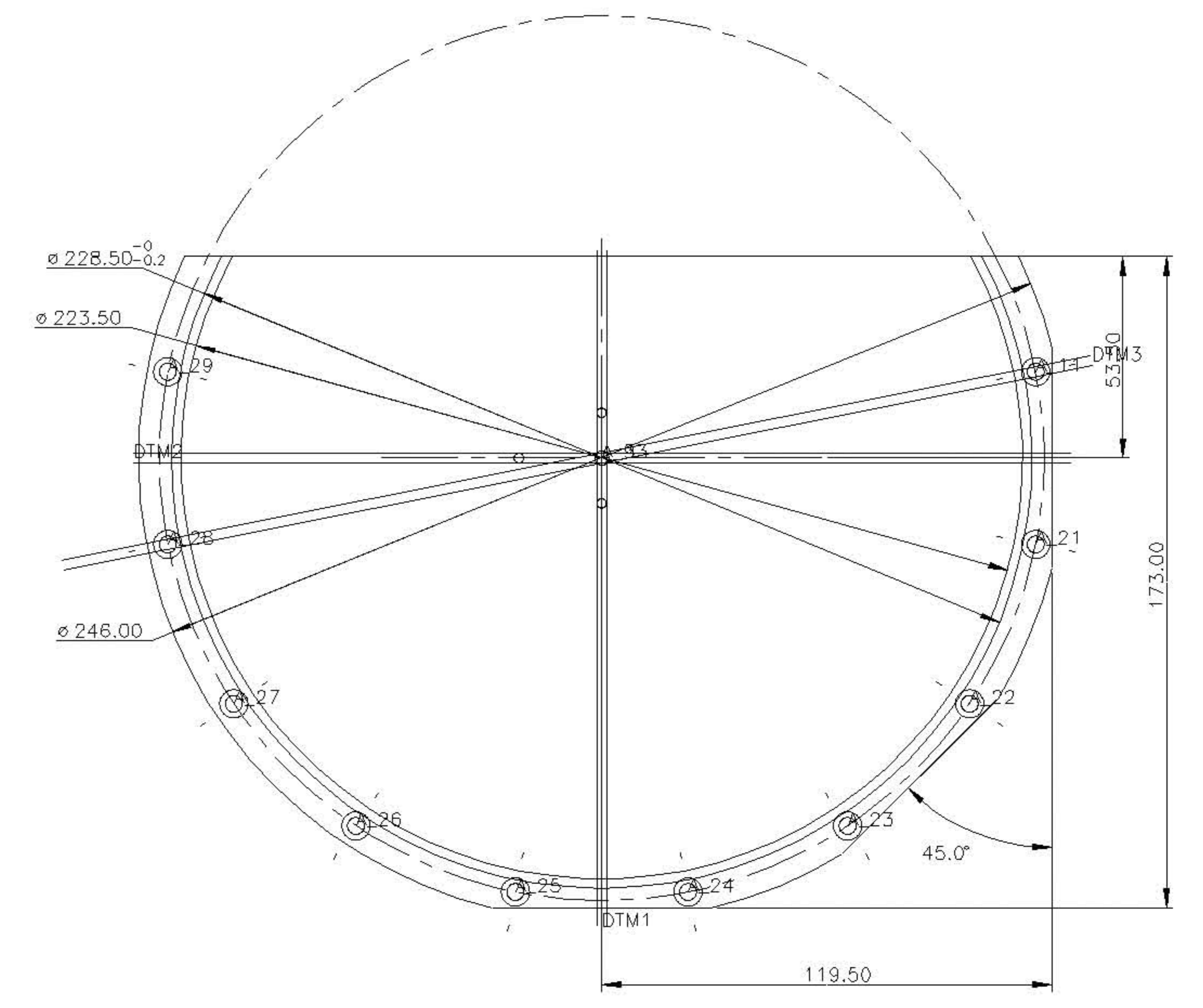
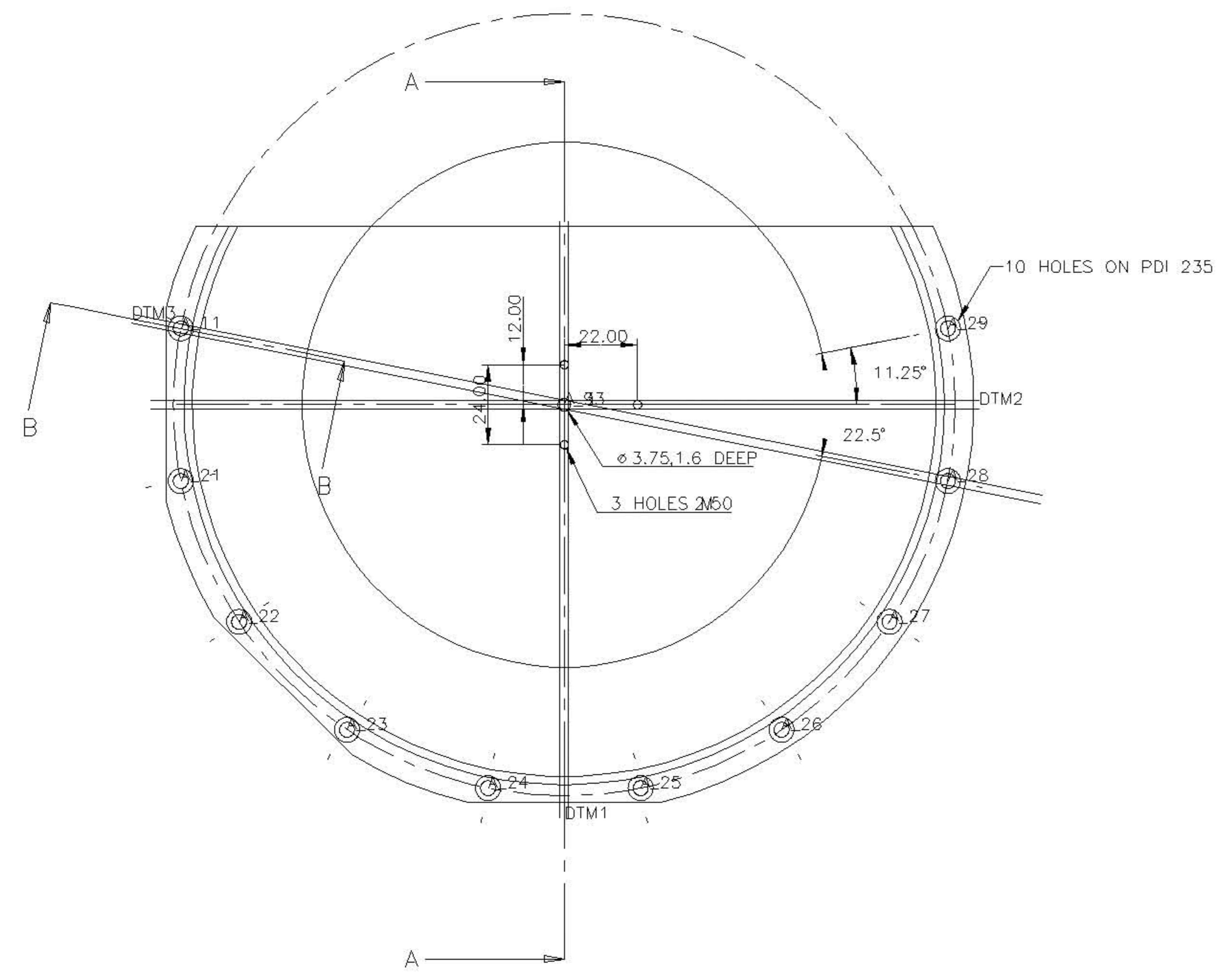
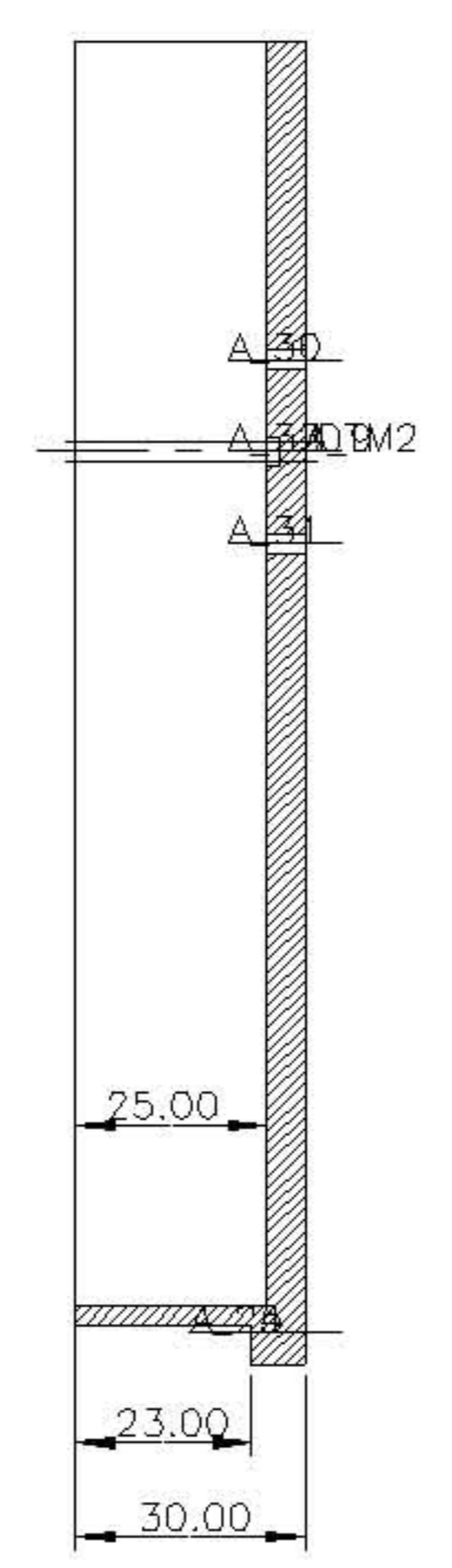


SECTION B-B



SECTION A-A



A	FIRST DRAWING	971107PH	ASI	-	RR	RDS				
Issue:	Status/Change:	Date:	Constr:	Drawn:	Check:	Prod:	App:			
Draw stand.: NS (CORRESP.)	Material: AL 6082 T6	THIS DRAWING SHALL NOT BE COPIED OR COMMUNICATED TO ANY THIRD PERSON WITHOUT CONSENT FROM PROTOTECH A.S. N-5036 FANTOFT NORWAY.								
General tol.: NS ISO 2768-1	Mat. cert.: 	prototech		Scale: 1:1	Orig. format: A1					
Surf. rough.: 3.2	Proj.: 	Title: NOT - NORDIC OPTICAL TELESCOPE ENCLOSURE B PART DRAWING			Draw. no.: 97621_01_04_03_PRT_A					