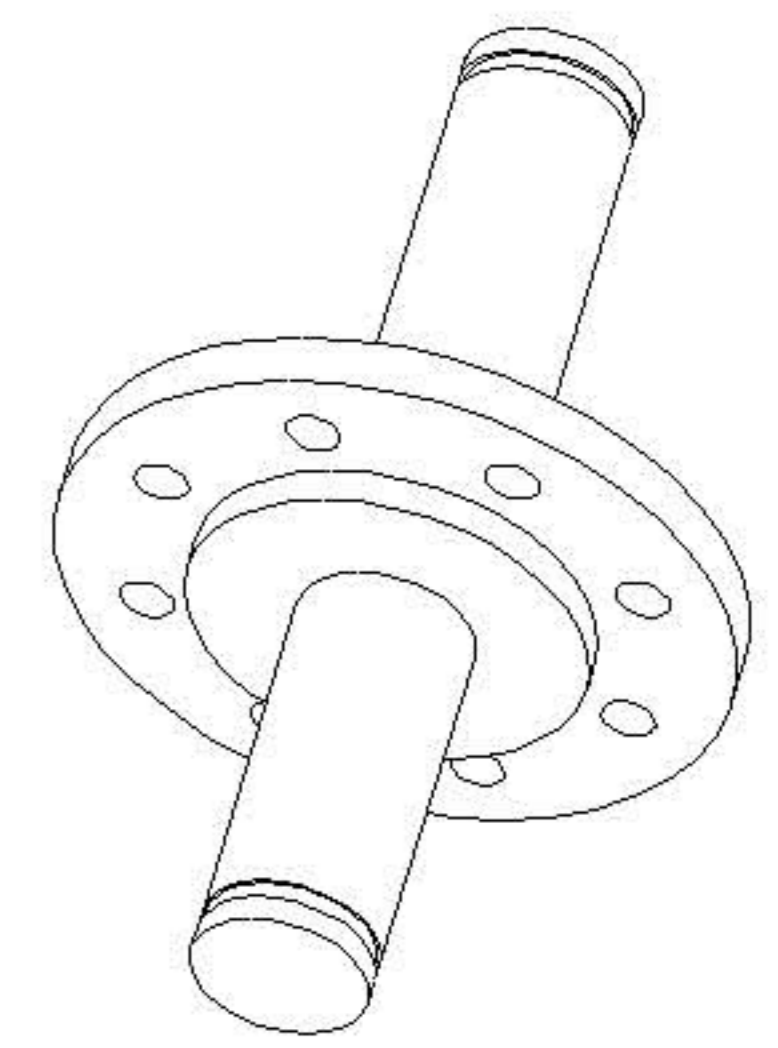
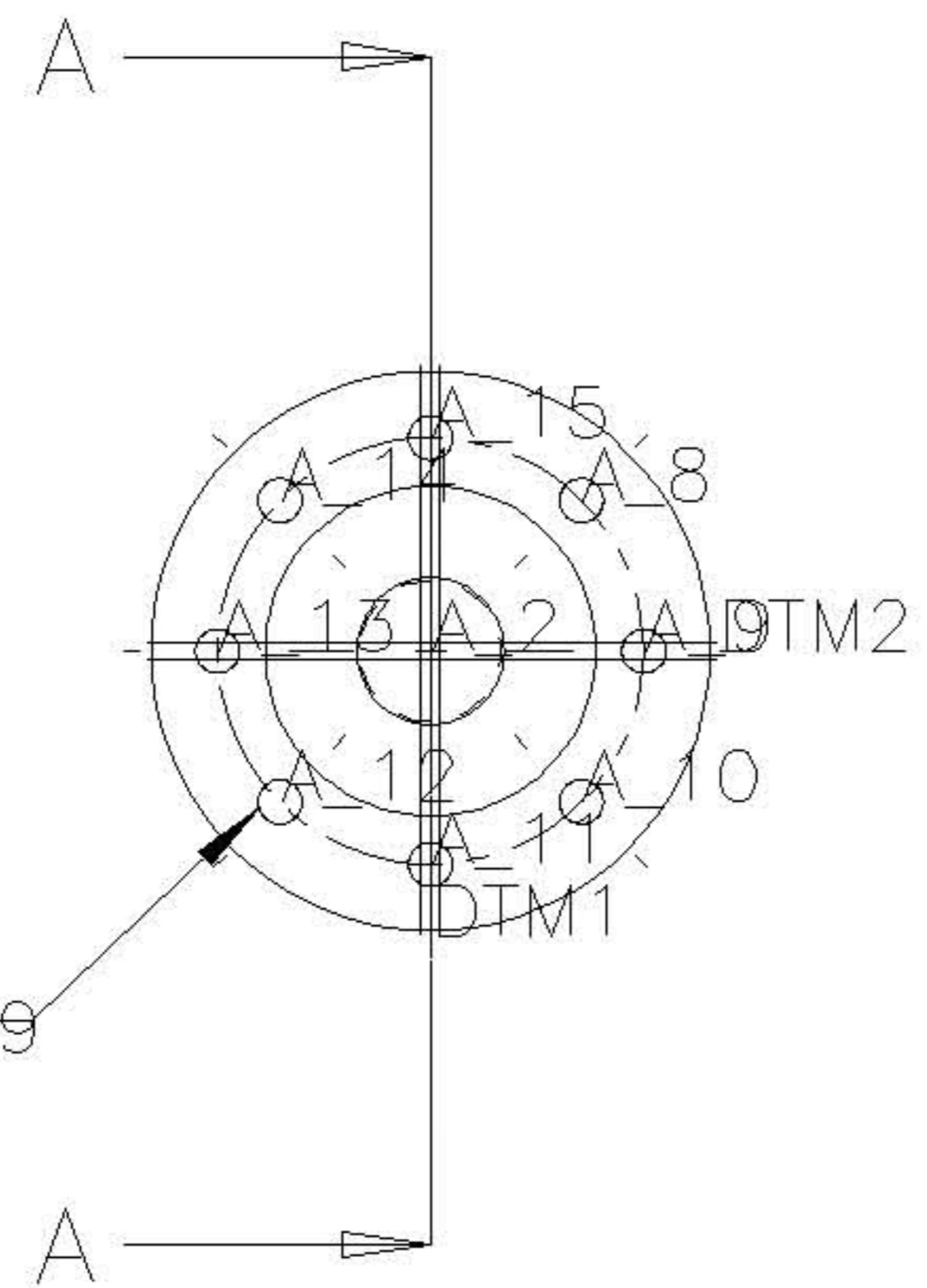


DETAIL A
SCALE 5:1

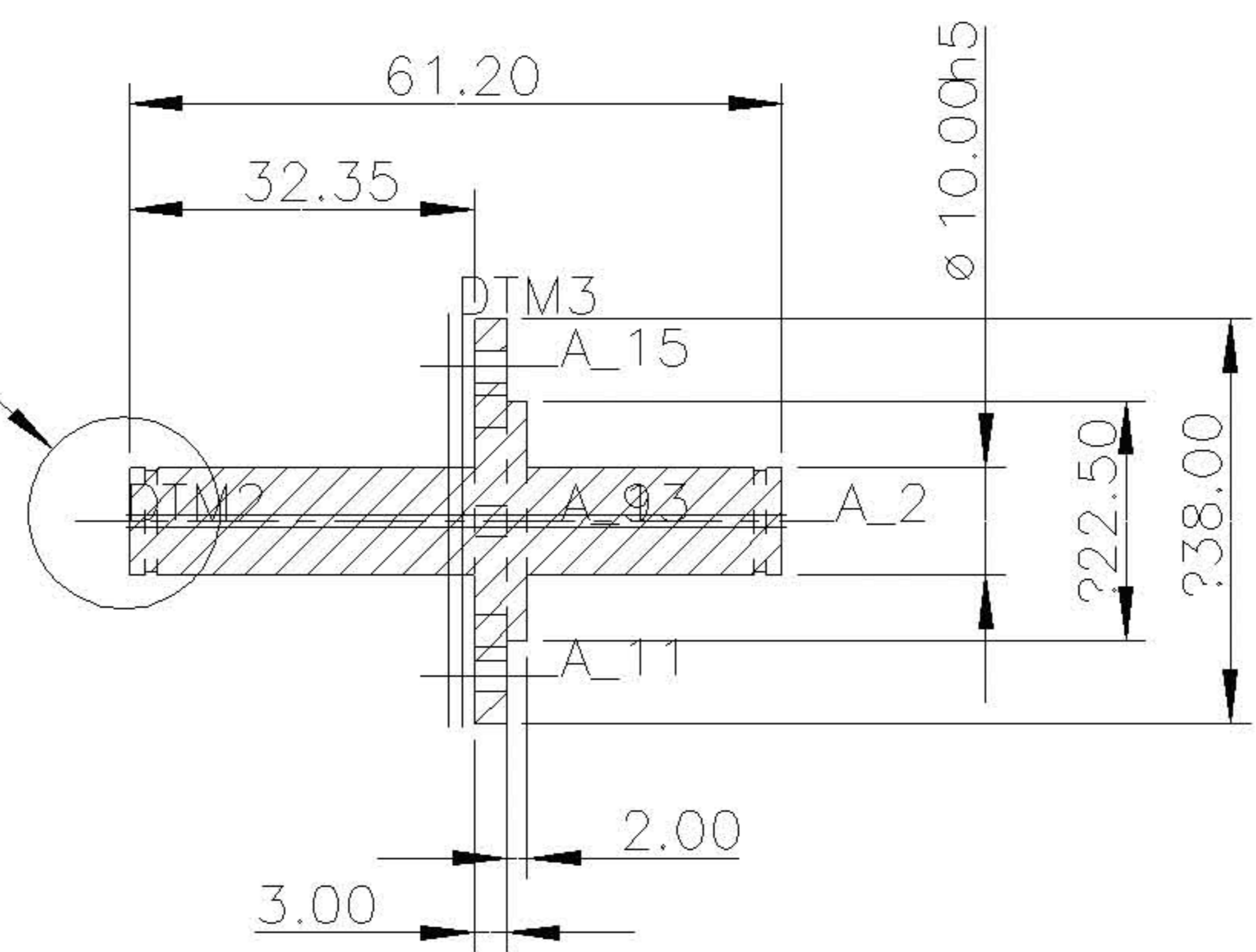


SCALE 1:1

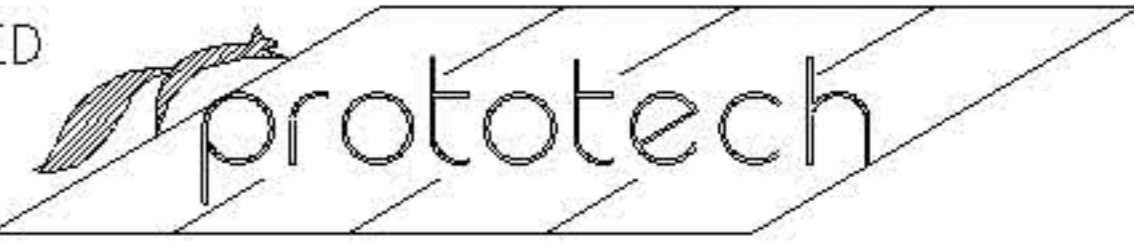
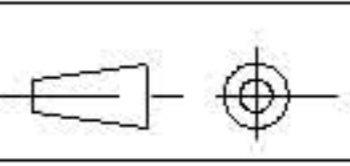


8 HOLES. $\phi 3$ ON PDI 29

SEE DETAIL A



SECTION A-A

—	—	—	—	—	—	—	—	—	Draw stand.: NS (CORRESP. ISO)	Material: AISI 316	THIS DRAWING SHALL NOT BE COPIED OR COMMUNICATED TO ANY THIRD PERSON WITHOUT CONSENT FROM PROTOTECH A.S. N-5036 FANTOFT NORWAY.	
—	—	—	—	—	—	—	—	General tol.: NS ISO 2768-1	Mat. cert.:	Scale: 1:1		
—	—	—	—	—	—	—	—	Surf. rough.: 1.2	Proj.: 	Draw. no.: 97621_01_04_08_PRT_A		
A	FIRST DRAWING	971107	PH	ASI	—	RR	RDS	Title: NOT — NORDIC OPTICAL TELESCOPE SHAFT A PART DRAWING				
Issue:	Status/Change:	Date:	Constr:	Drawn:	Check:	Prod:	App.:					