

1 2 3 4 5 6

D

D

C

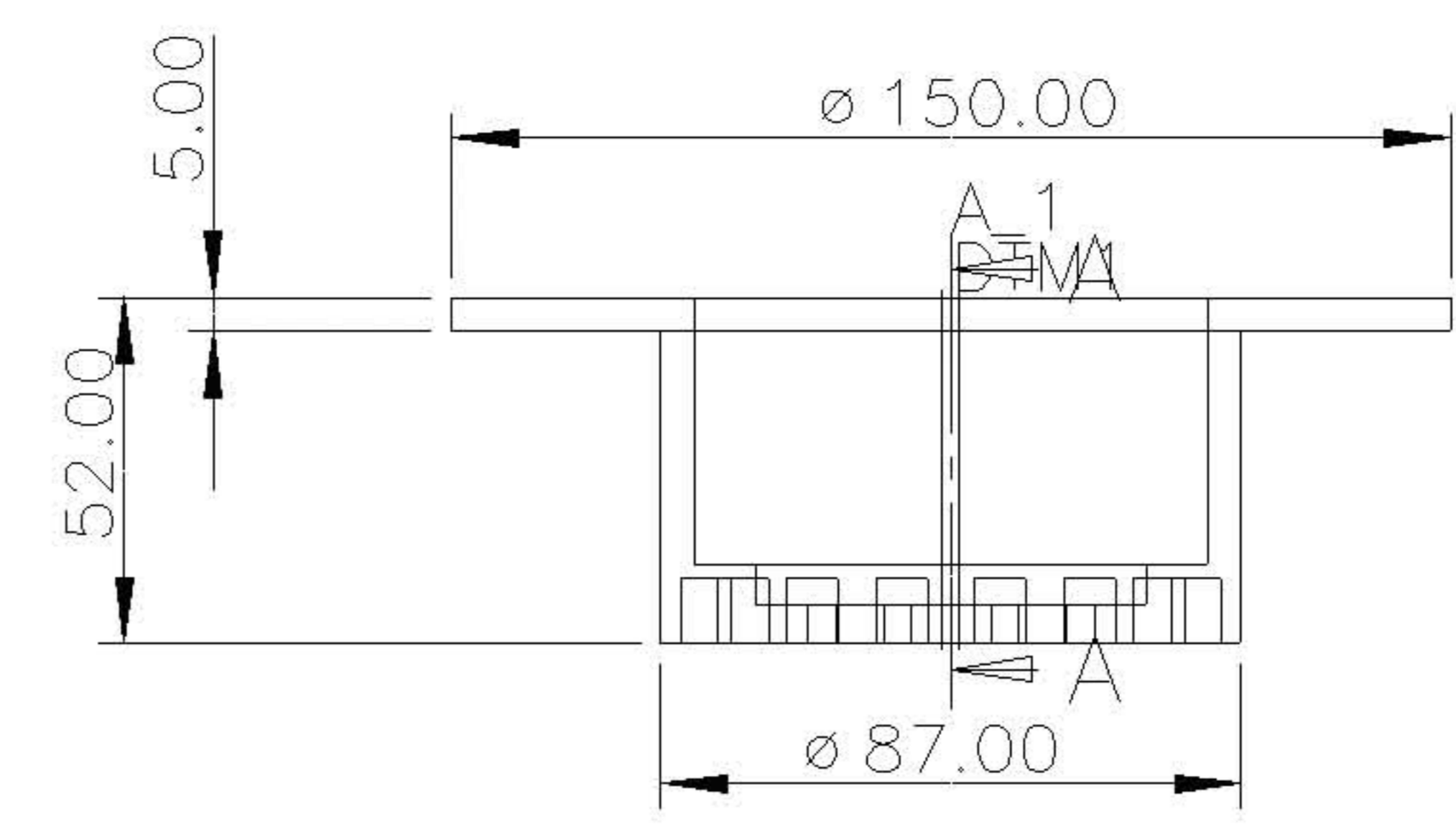
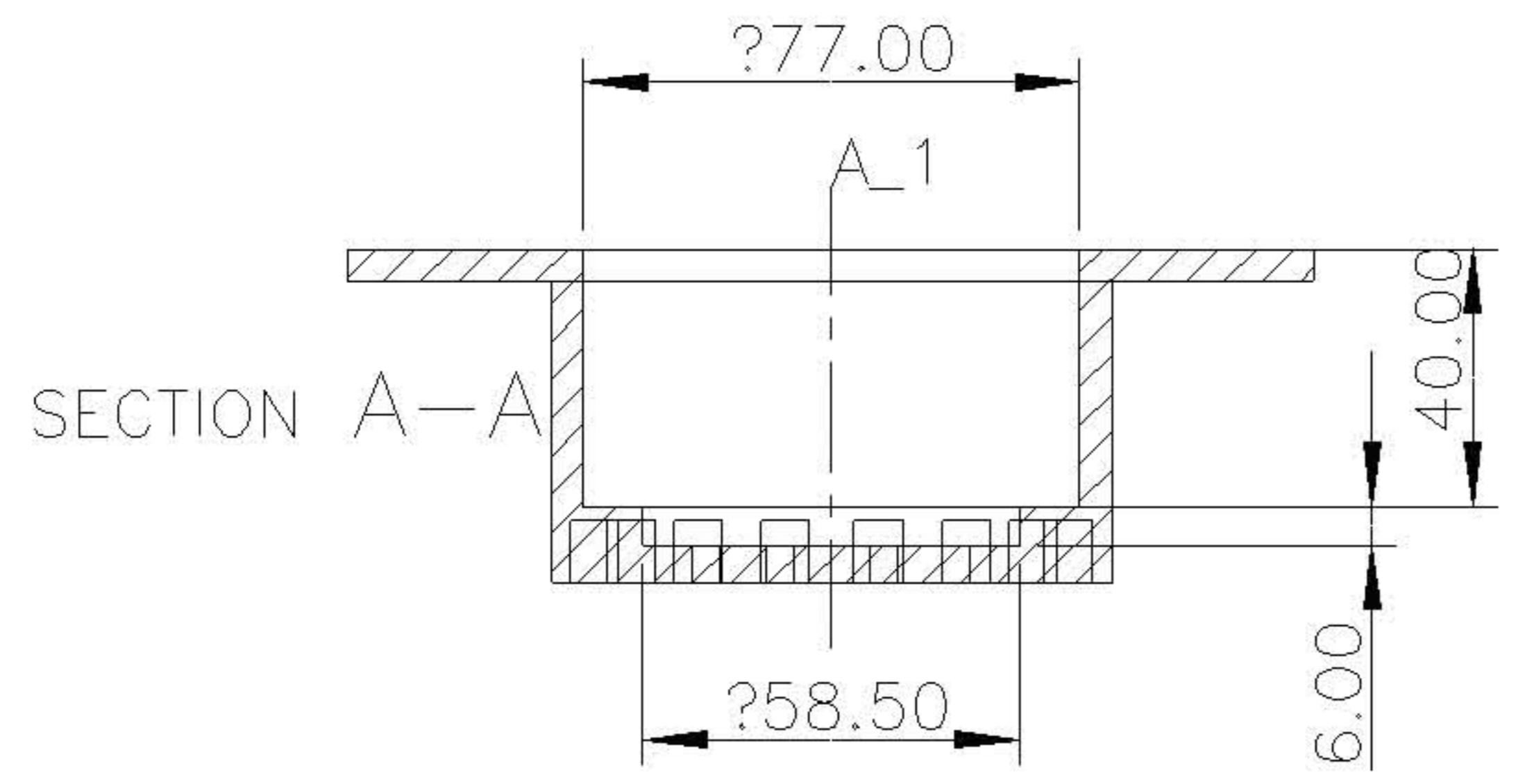
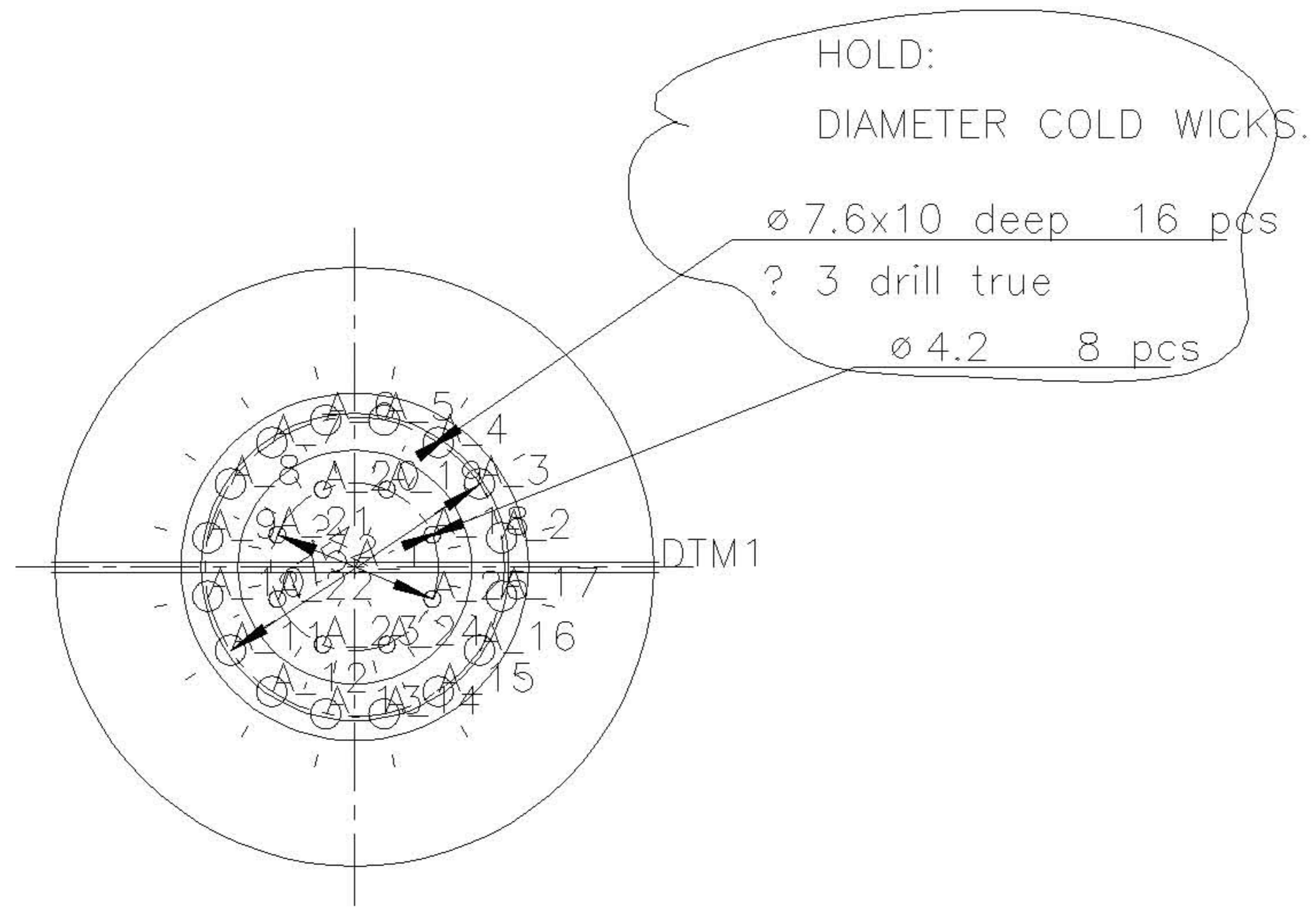
C

B

B

A

A



—	—	—	—	—	—	—	—	—	Draw stand.: NS (CORRESP.ISO)	Material: Al 6082 T6	THIS DRAWING SHALL NOT BE COPIED OR COMMUNICATED TO ANY THIRD PERSON WITHOUT CONSENT FROM PROTOTECH A.S. N-5036 FANTOFT NORWAY.		Scale: 1:2	Org. format: A3
—	—	—	—	—	—	—	—	General tol.: NS ISO 2768-1	Mat. cert.:	Draw. no.:				
—	—	—	—	—	—	—	—	Surf. rough.: 1.2	Proj.:	97621-01-01-49-PRT-A				
A	FIRST DRAWING	171197	PH	JYV	—	RR	RDS	Title: NOT Vacuum Vessel End flange coldhead PART DRAWING						
Issue:	Status/Change:	Date:	Constr:	Drawn:	Check:	Prod:	App.:							

1 2 3 4 5 6