

1 2 V 3 4 5 6

D

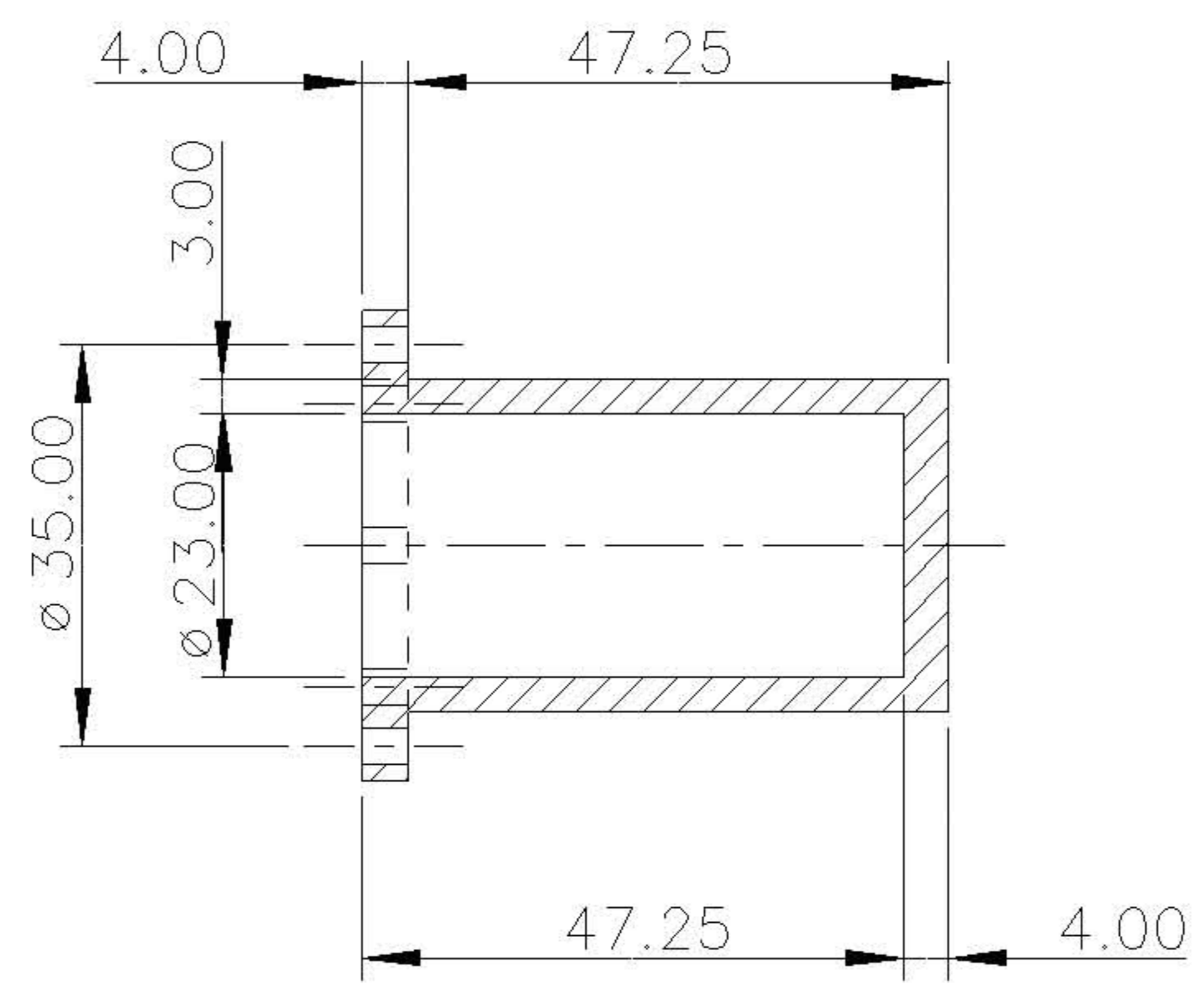
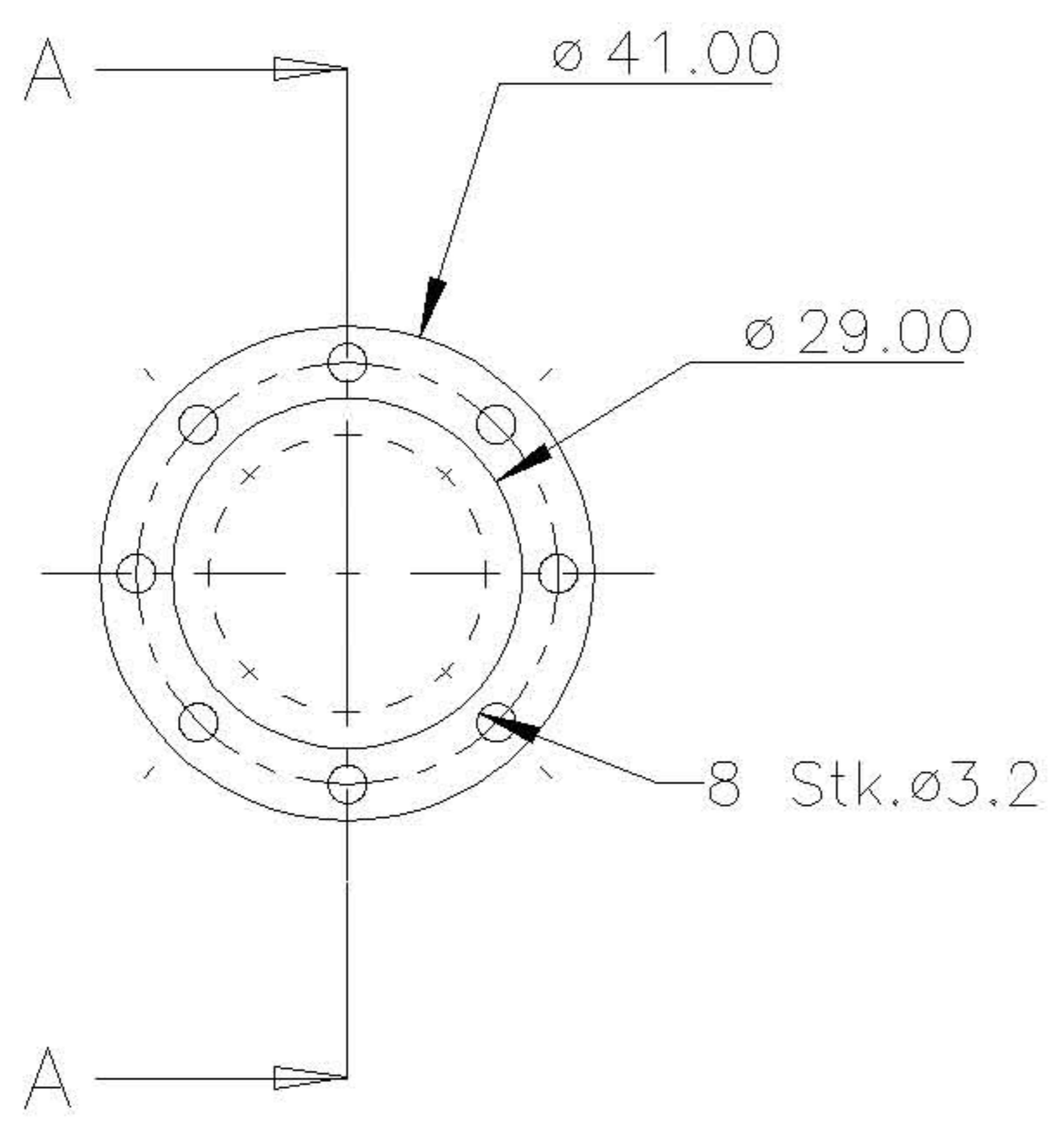
D

C

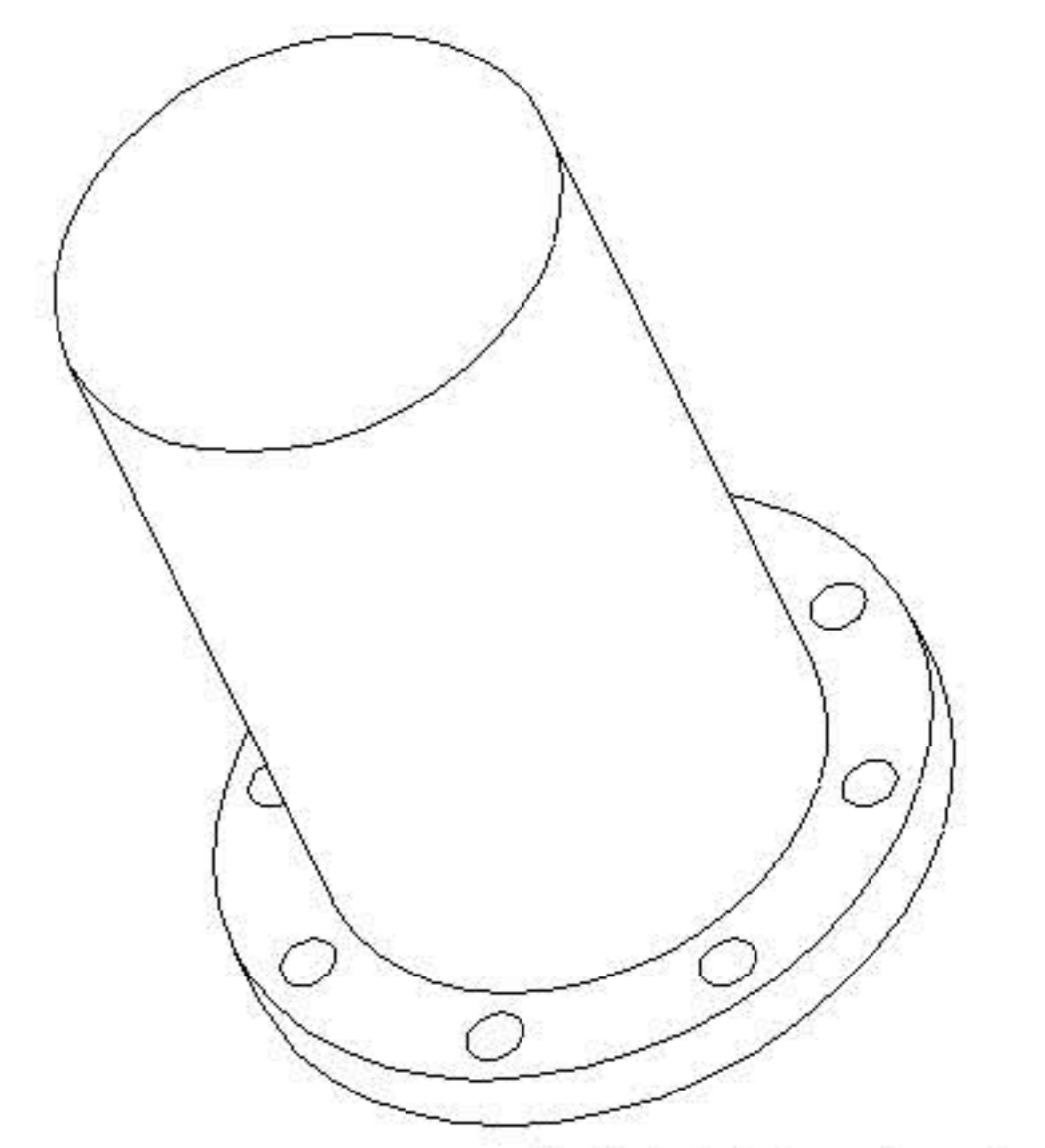
C

B

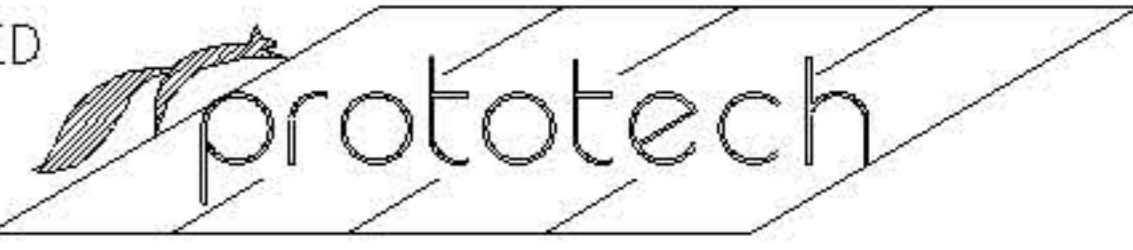
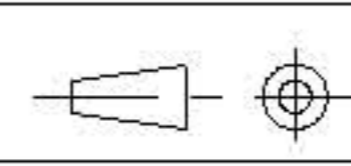
B



SECTION A-A



SCALE 1:1

A	—	—	—	—	—	—	—	—	Draw stand.: NS (CORRESP.ISO)	Material: LEAD BRONZE JM14	THIS DRAWING SHALL NOT BE COPIED OR COMMUNICATED TO ANY THIRD PERSON WITHOUT CONSENT FROM PROTOTECH A.S. N-5036 FANTOFT NORWAY.	
	—	—	—	—	—	—	—	General tol.: NS ISO 2768-1	Mat. cert.:			
	—	—	—	—	—	—	—	Surf. rough.: 3.2	Proj.: 	Scale: 1:1		Org. format: A3
	—	—	—	—	—	—	—	—	Title: NOT - NORDIC OPTICAL TELESCOPE RETAINER PART DRAWING		Draw. no.:	
	A	FIRST DRAWING	311097	PH	AMAA	—	—	—			97621_01_03_05_PRT_A	
Issue:	Status/Change:	Date:	Constr:	Drawn:	Check:	Prod:	App.:					

1 2 ^ 3 4 5 6

A

A