

1

2

3

^

4

5

6

D

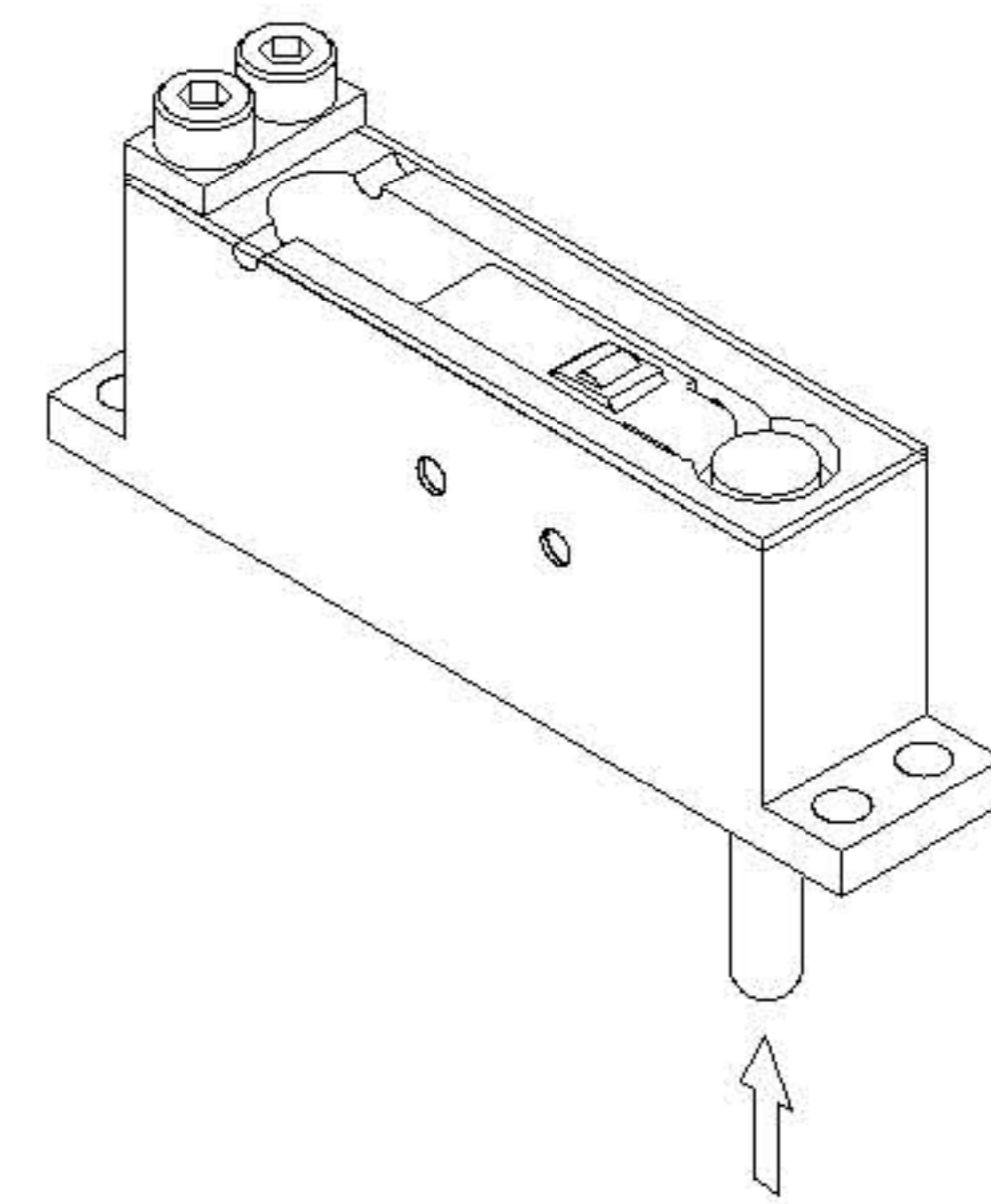
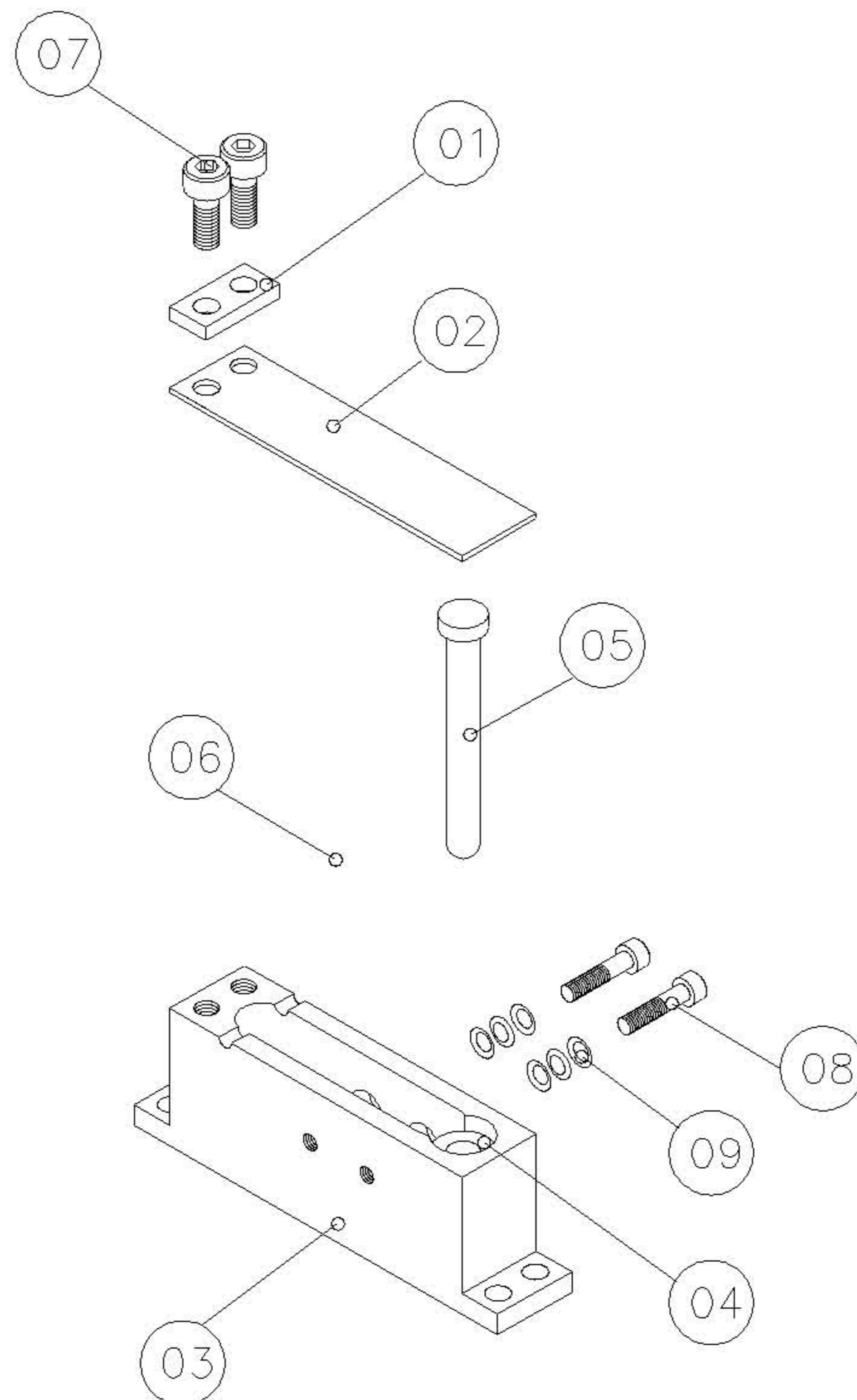
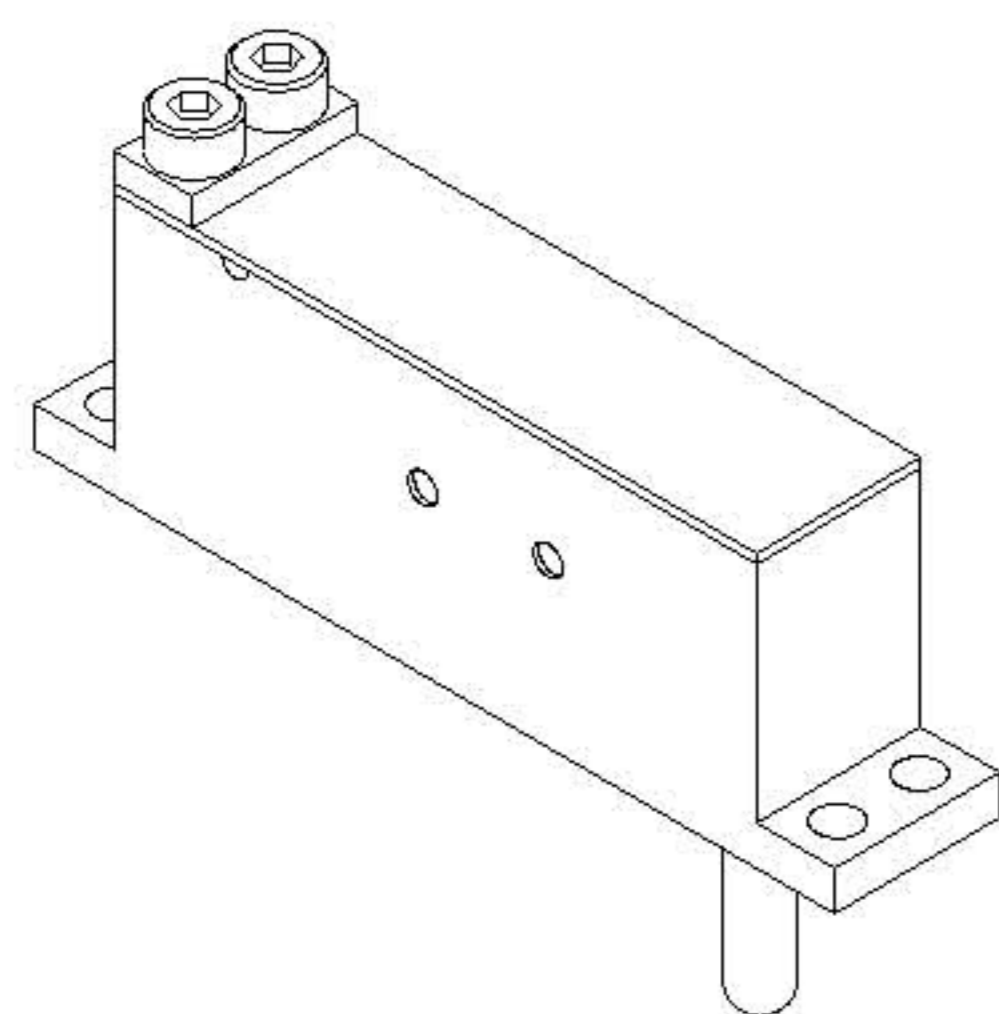
D

C

C

B

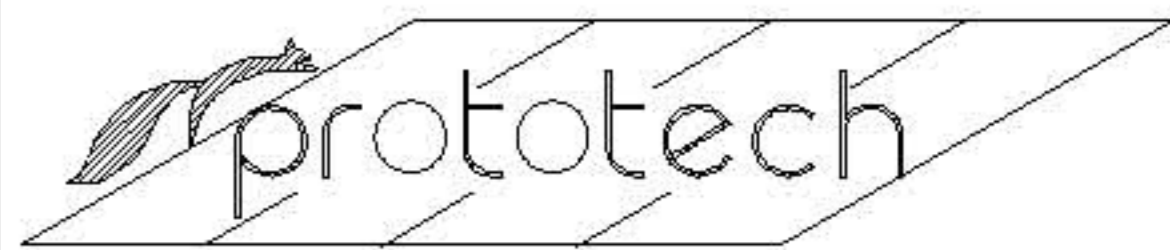
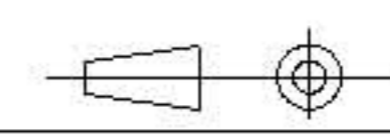
B



PRELIMINARY DRAWING

A

A

							Draw. stand.: NS(CORRESP.ISO)	Material:	THIS DRAWING SHALL NOT BE COPIED OR COMMUNICATED TO ANY THIRD PERSON WITHOUT CONSENT FROM PROTOTECH A.S. N-5036 FANTOFT, NORWAY.		
							General tol.: NS ISO 2768-1	Mat. cert.:			Scale: 1 : 1
							Surf. roug.:	Proj.: 		Drwg. no.: 97621-00-02-ASM-A	
A	FIRST DRAWING	281097	PH	AMAA	RR	RDS	Title: NOT - NORDIC OPTICAL TELESCOPE MICROSWITCH ASSEMBLY DRAWING				
Issue:	Status/Change:	Date:	Constr:	Drawn:	Check:	Prod.:	App.:				

1

2

3

∨

4

5

6