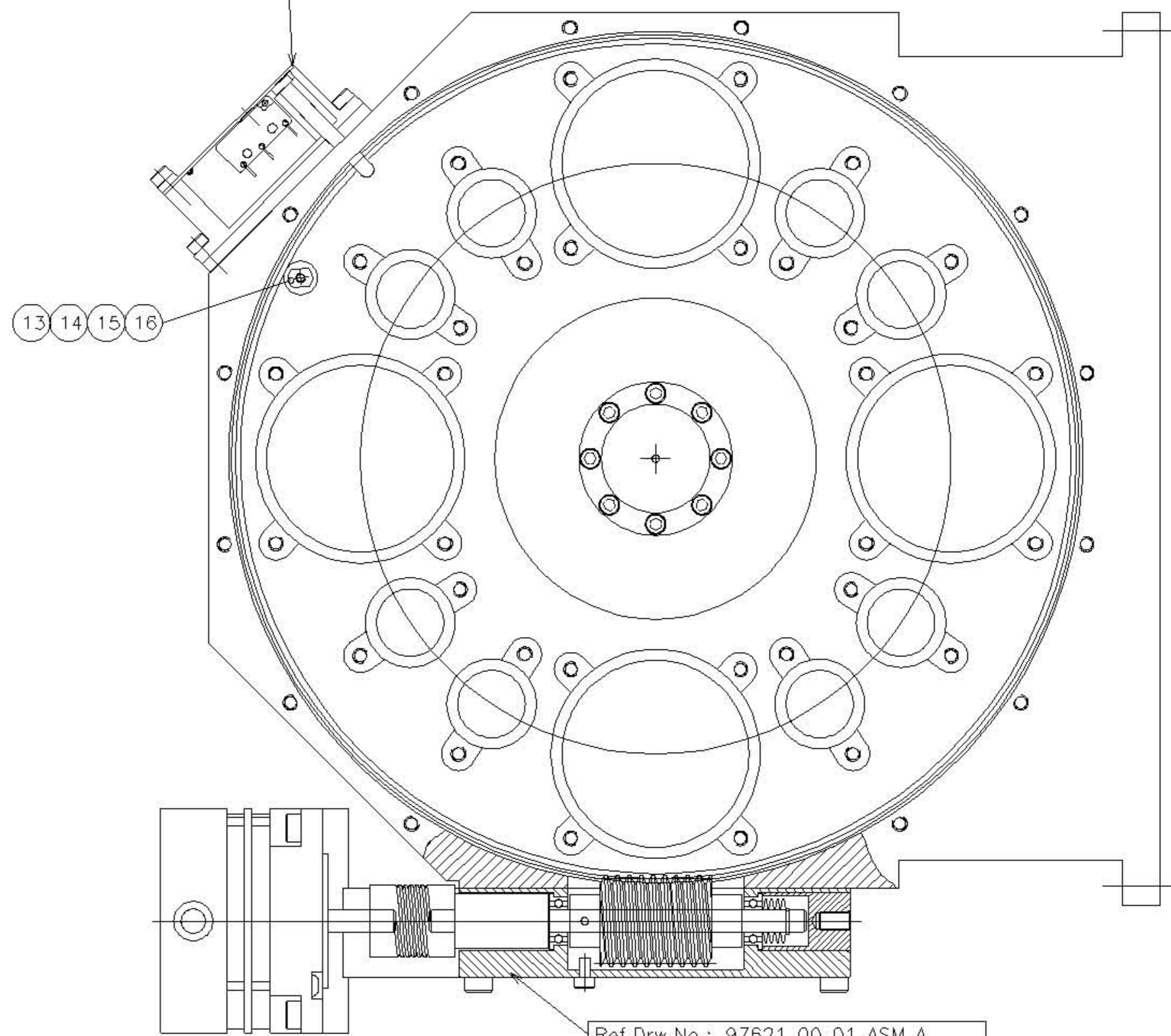
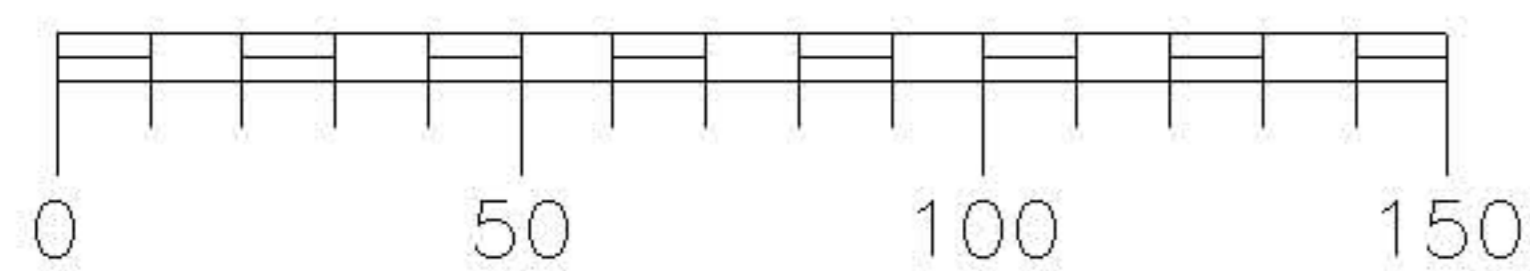


Ref.Drw.No.: 97621_00_02_ASM_A



Ref.Drw.No.: 97621_00_01_ASM_A



PRELIMINARY DRAWING

A		FIRST DRAWING	311097	PH	AMAA	RR	RDS
Issue:	Status/Change:	Date:	Constr:	Drawn:	Check:	Prod:	App:
Draw. stand.: NS (CORRESP. ISO)	Material:	THIS DRAWING SHALL NOT BE COPIED OR COMMUNICATED TO ANY THIRD PERSON WITHOUT CONSENT FROM PROTOTECH AS N-5036 FANTOFT, NORWAY.			Scale: 1 : 1 Orig. format: A1		Draw. no.: 97621-01-02-ASM-A
General tol.: NS ISO 2768-1	Mat. cert.:						
Surf. roug.:	Proj.:						
Title NOT - NORDIC OPTICAL TELESCOPE NOT CAM ENTRANCE WHEEL ASSEMBLY DRAWING							