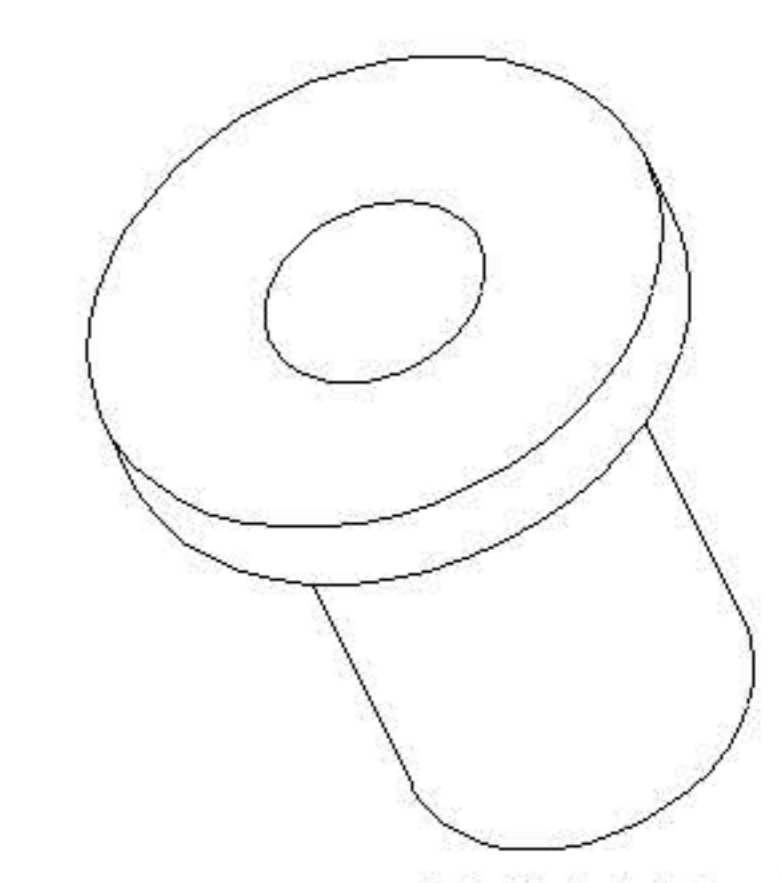


1 2 V 3 ^ 4 5 6

D

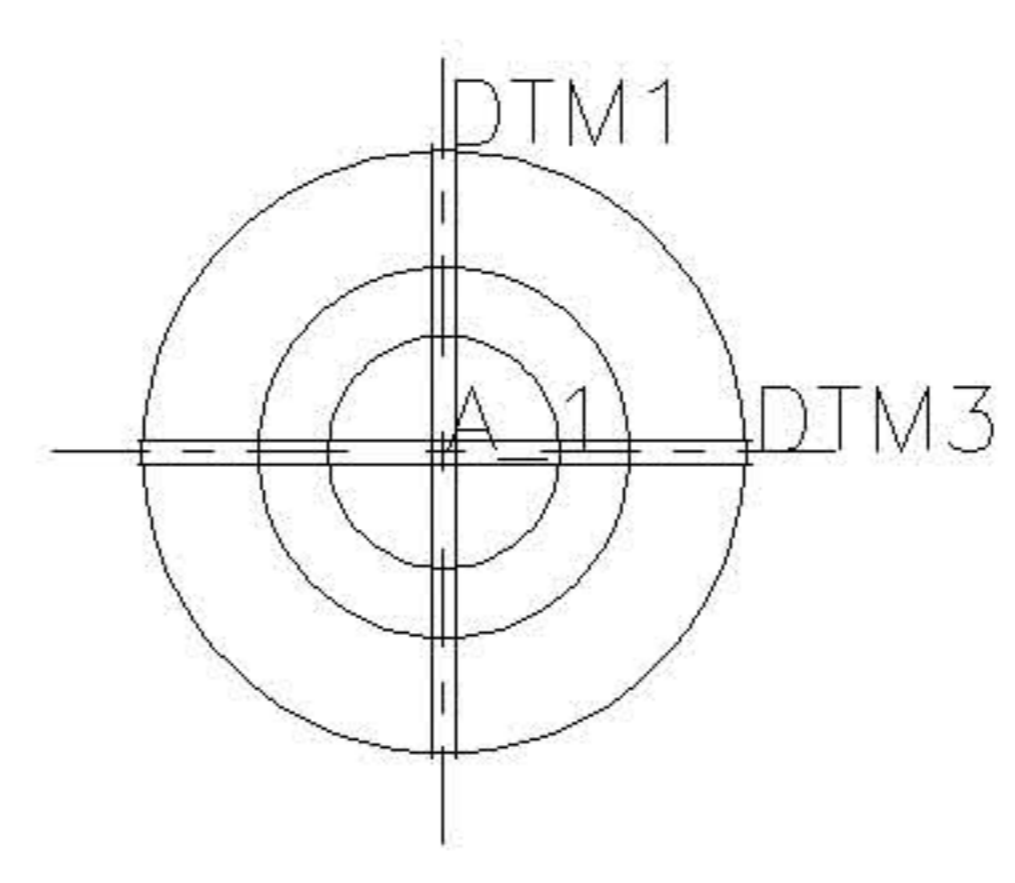
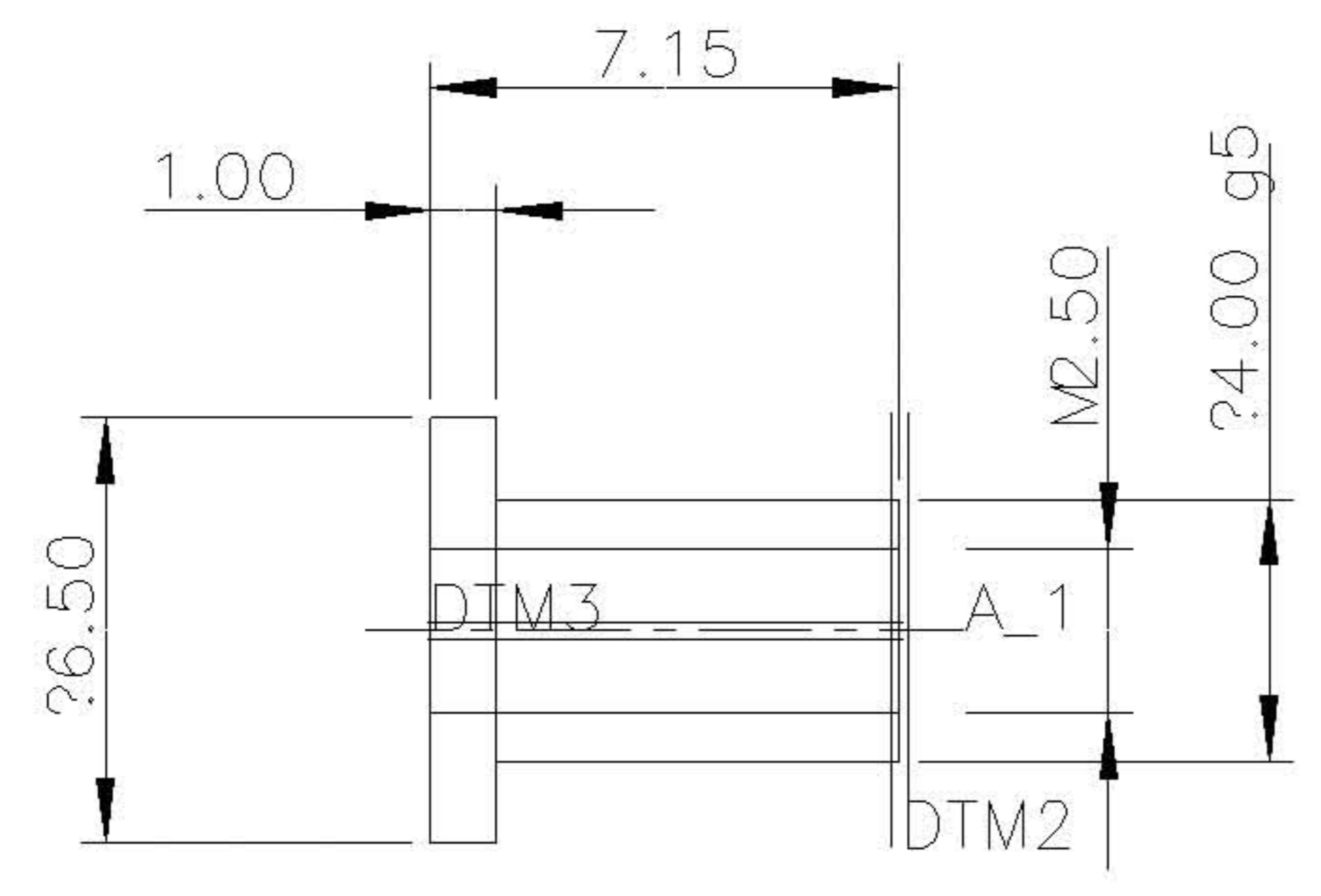
D



SCALE 5:1

C

C

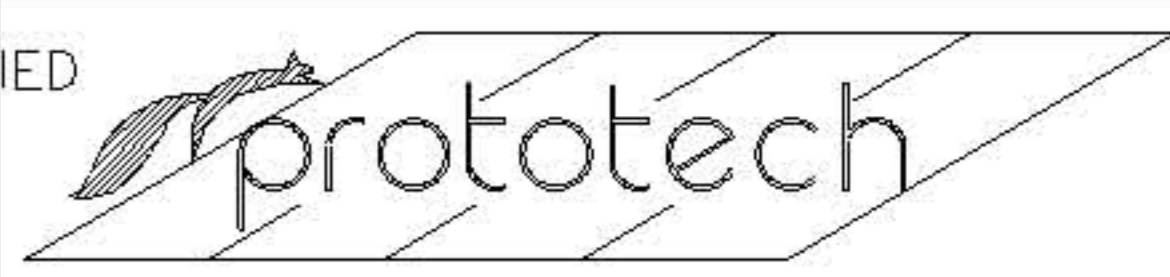
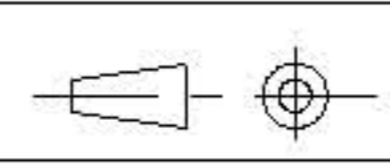


B

B

A

A

—	—	—	—	—	—	—	—	—	Draw stand.: NS (CORRESP. ISO)	Material: AISI 316	THIS DRAWING SHALL NOT BE COPIED OR COMMUNICATED TO ANY THIRD PERSON WITHOUT CONSENT FROM PROTOTECH A.S. N-5036 FANTOFT NORWAY.	
—	—	—	—	—	—	—	—	General tol.: NS ISO 2768-1	Mat. cert.:	Scale: 5:1		
—	—	—	—	—	—	—	—	Surf. rough.: 1.2	Proj.: 	Draw. no.:		
A	FIRST DRAWING	971107	PH	ASI	—	RR	RDS	Title: NOT – NORDIC OPTICAL TELESCOPE SOCKET PART DRAWING			97621_01_04_17_PRT_A	
Issue:	Status/Change:	Date:	Constr:	Drawn:	Check:	Prod:	App.:					

1 2 ^ 3 V 4 5 6