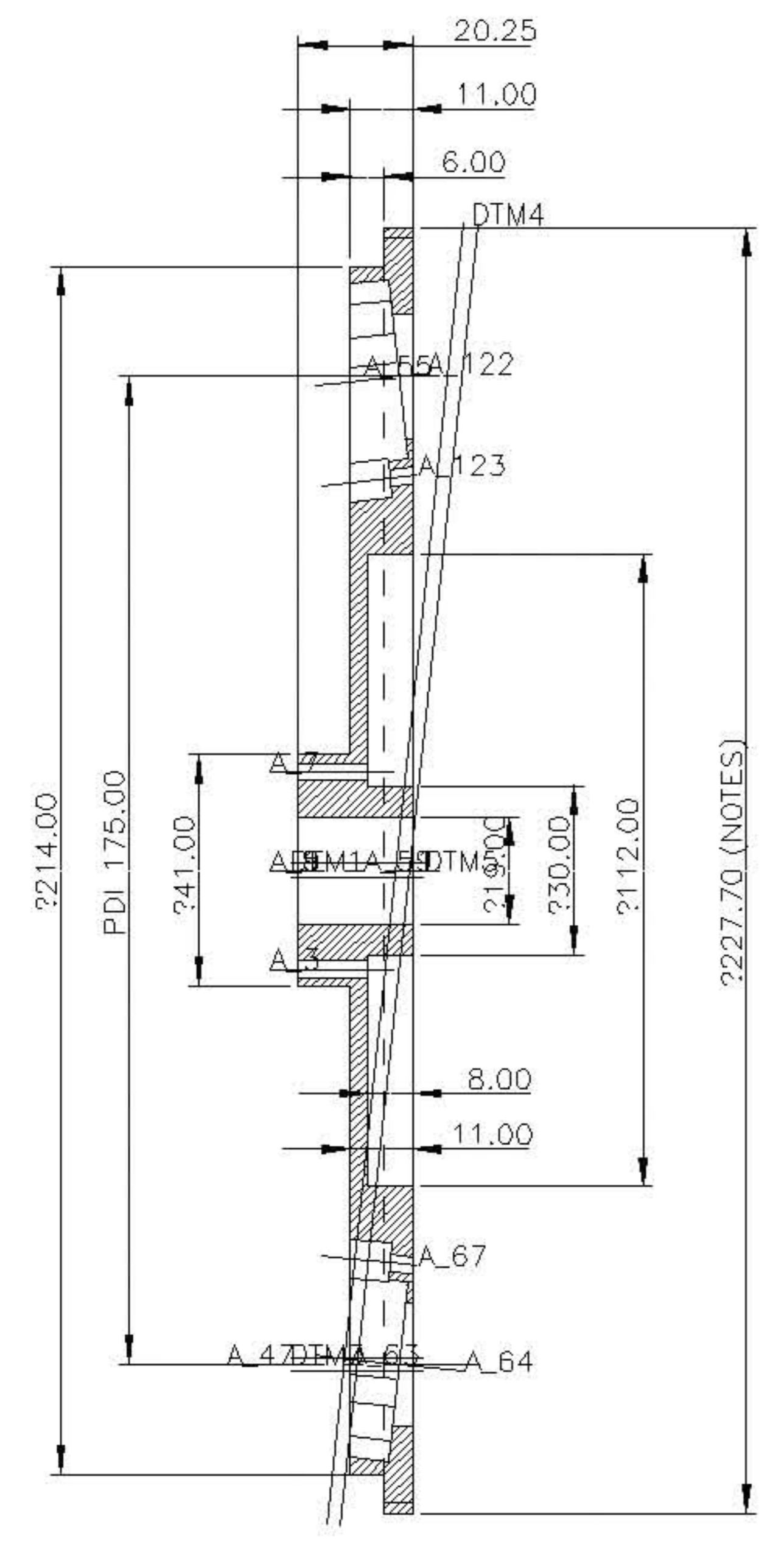
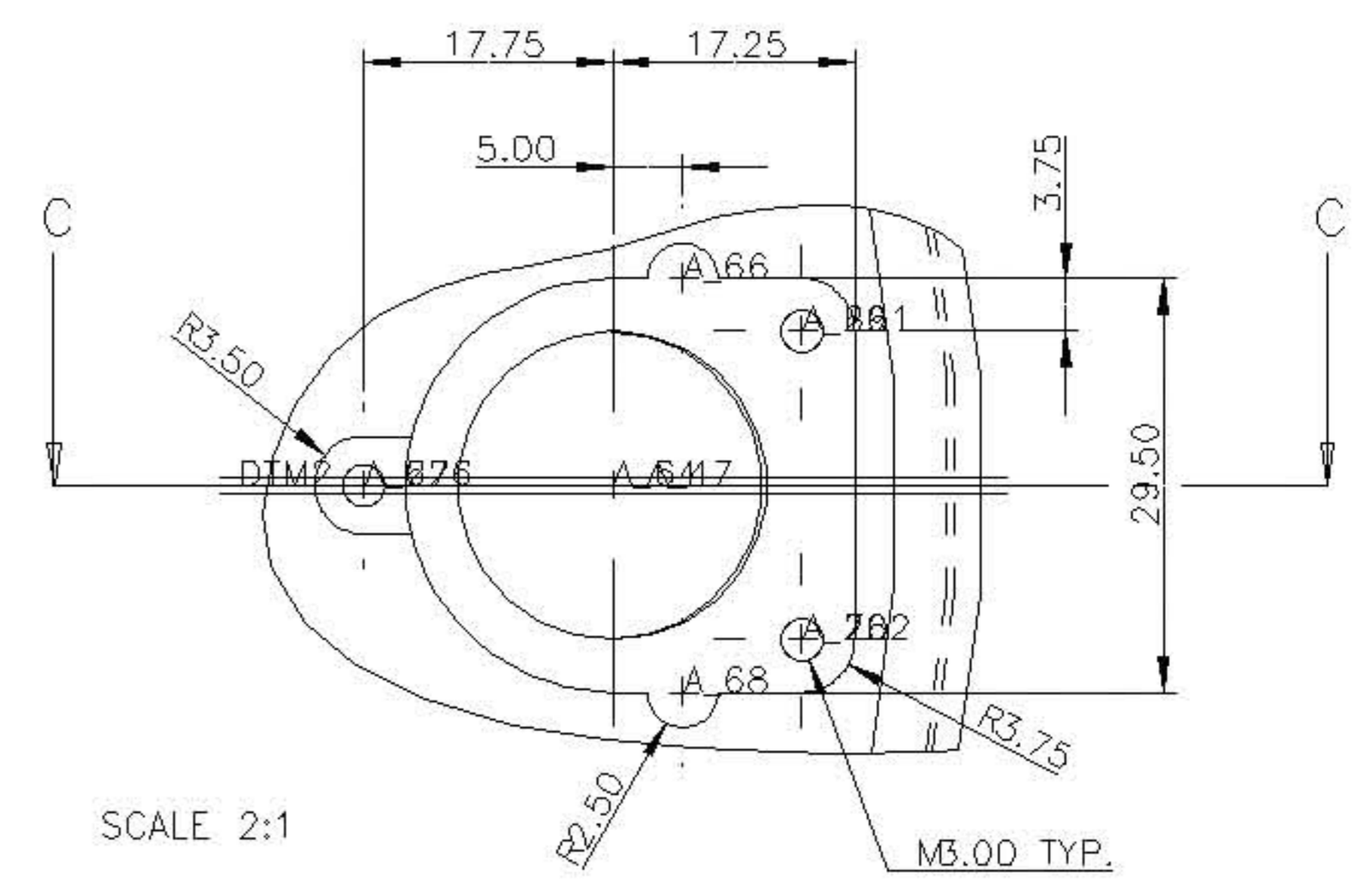
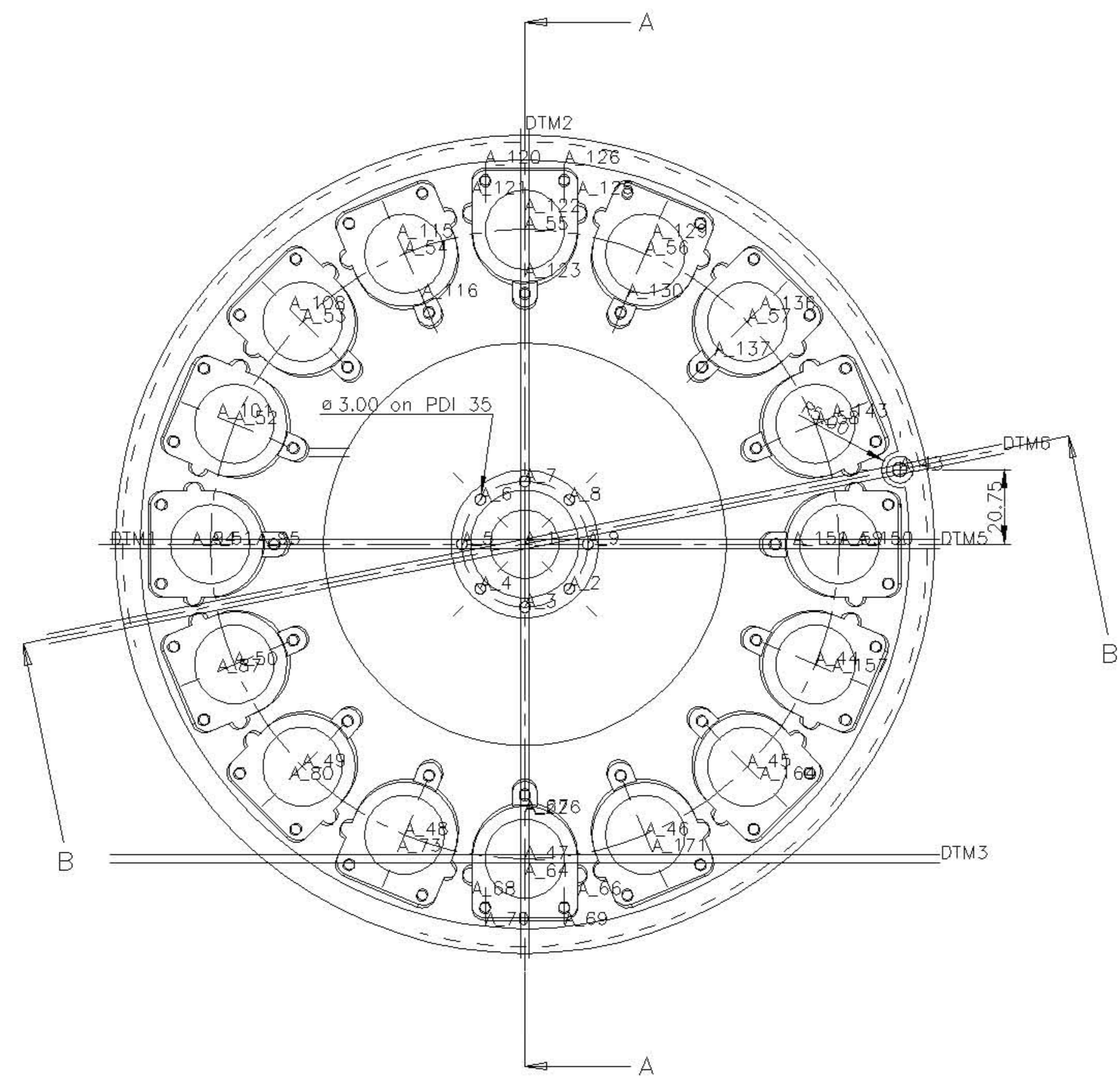


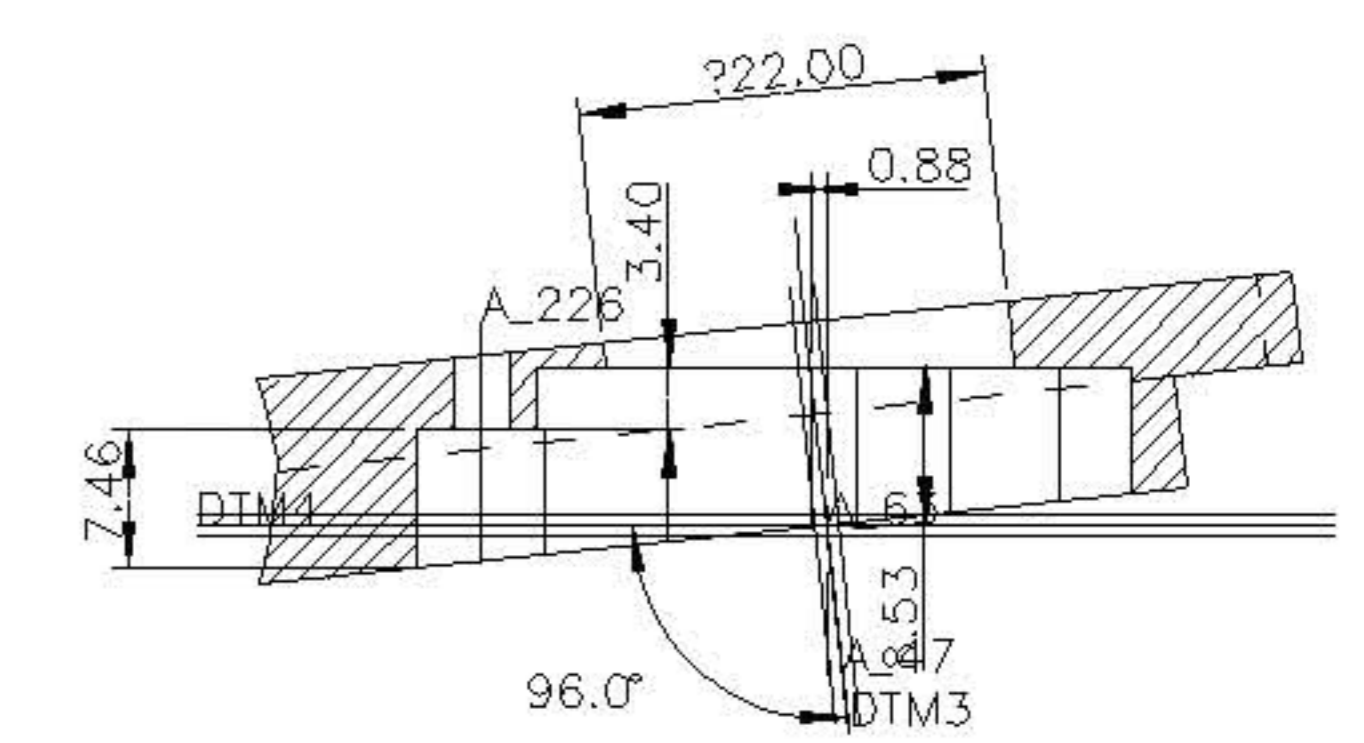
SCALE 1:2



SECTION A-A



SCALE 2:1



SECTION C-C

NOTES:
EMNE ?228, TANNHJUL: DD 225, M = 1, Z = 225 TENNER

A		FIRST DRAWING		971107PH ASI		RR		RDS	
Issue:	Status/Change:	Date:	Constr:	Drawn:	Check:	Prod:	App.:		
Draw stand.:	Material:	THIS DRAWING SHALL NOT BE COPIED OR COMMUNICATED TO ANY THIRD PERSON WITHOUT CONSENT FROM PROTOTECH A.S. N-5036 FANTOFT NORWAY.							
General tol.:	Mat. cert.:								
Surf. rough.:	Proj.:								
Scale: 1:1									
Title: NOT - NORDIC OPTICAL TELESCOPE GEAR B PART DRAWING		Draw. no.:		97621_01_04_13_PRT_A					