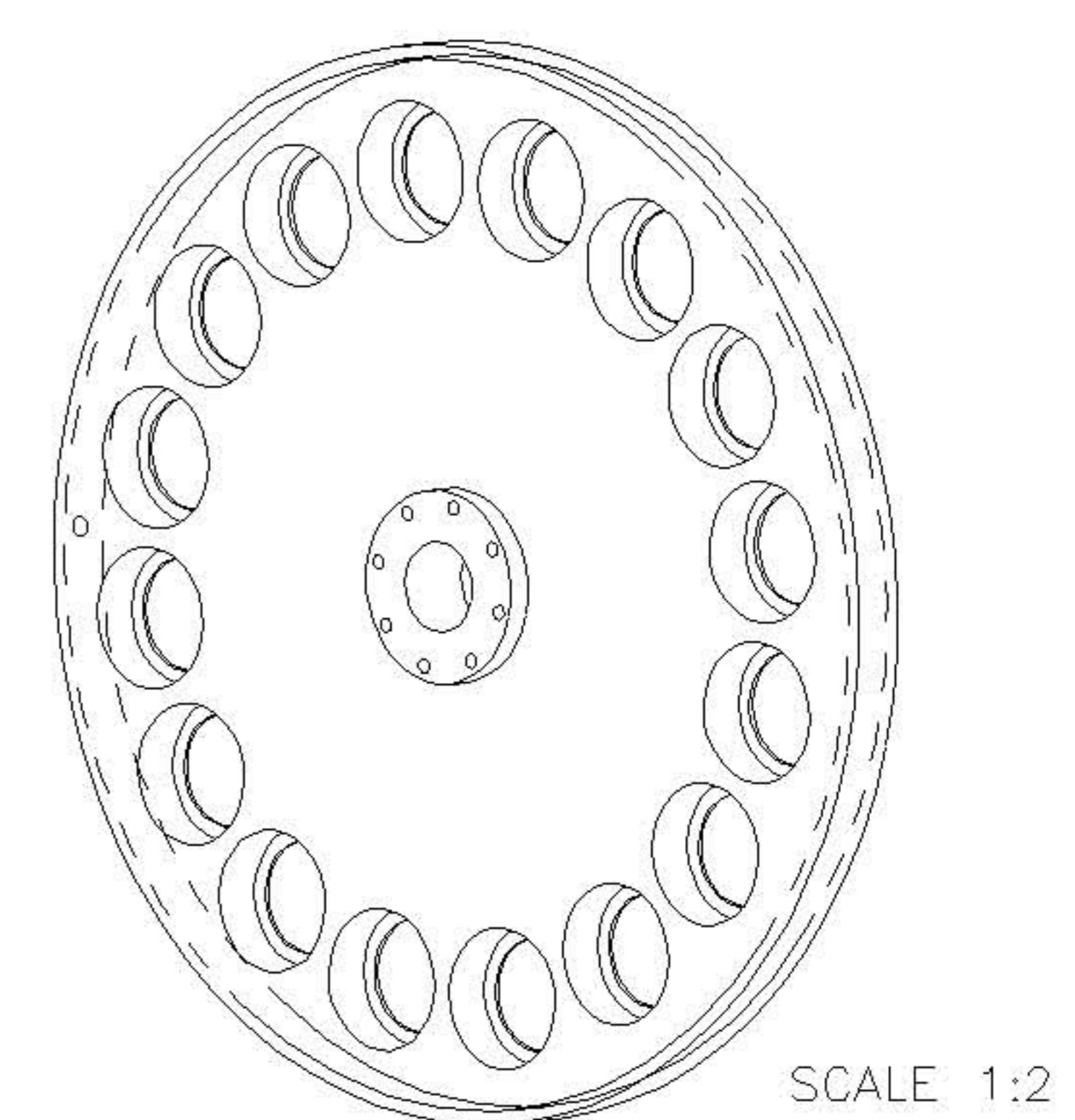
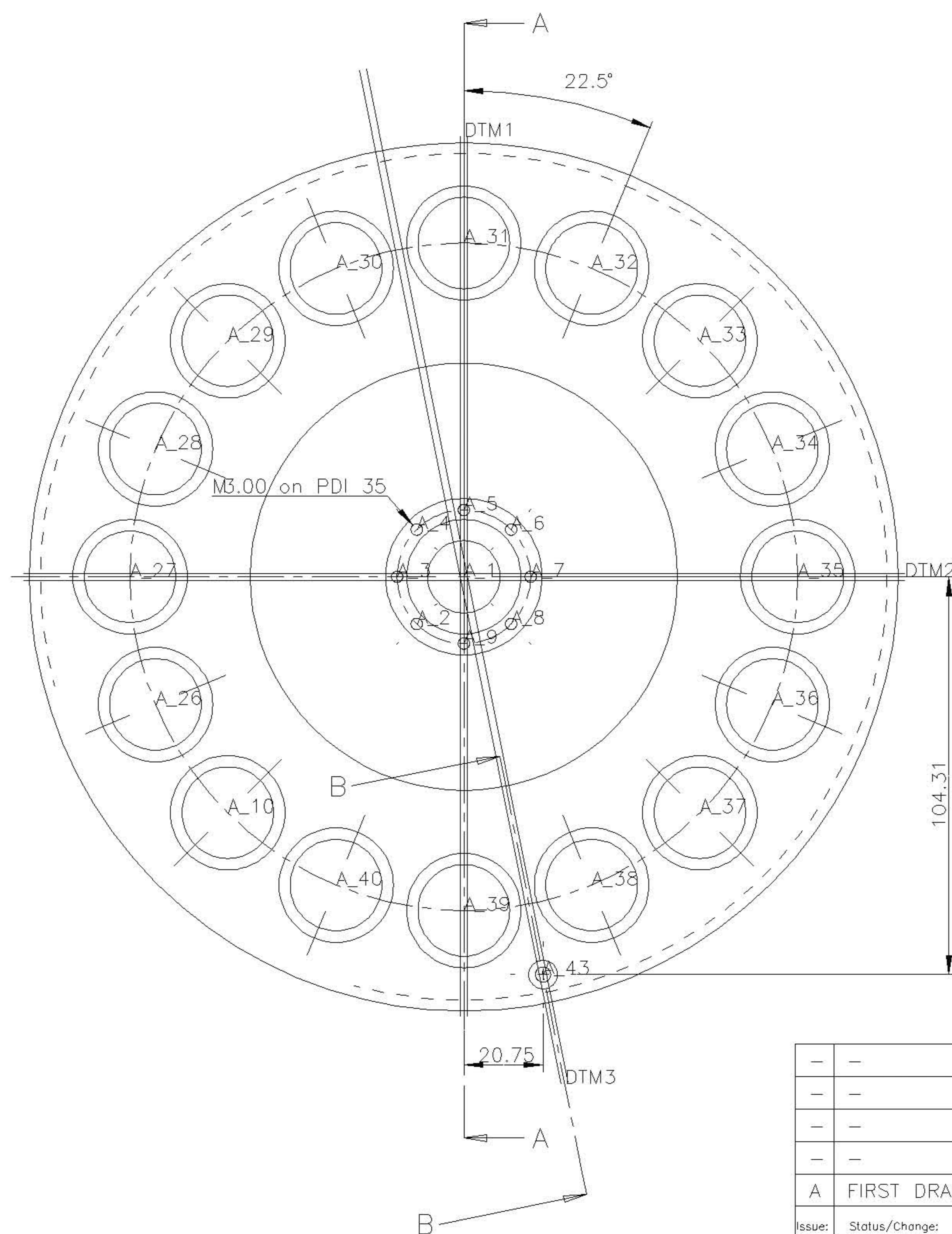
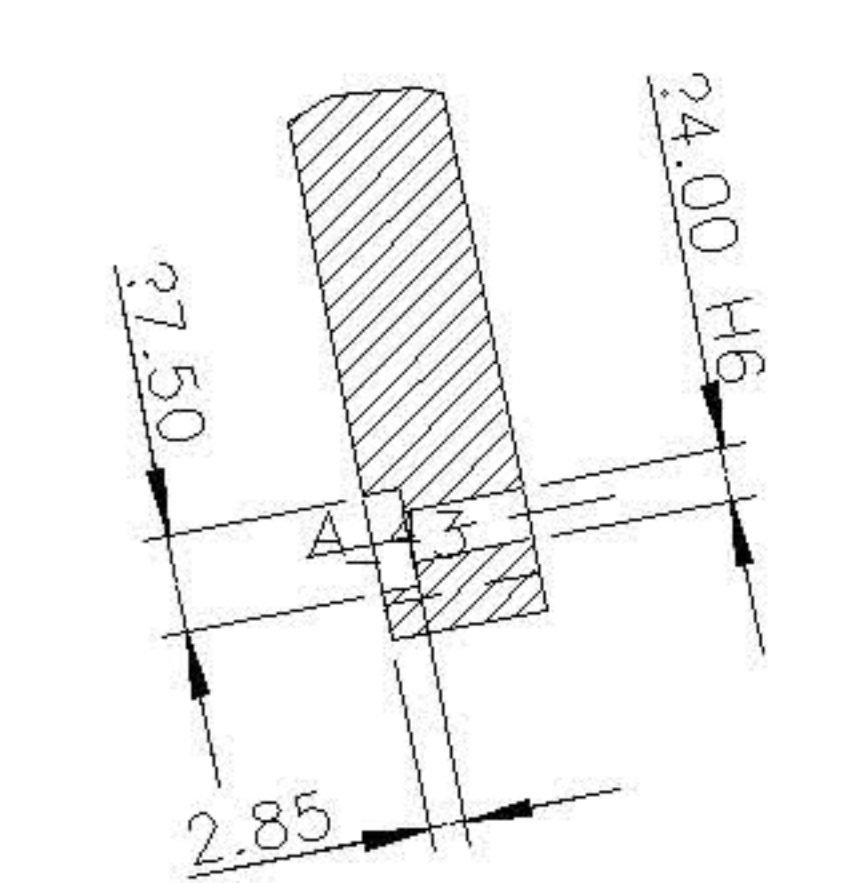


SECTION A-A

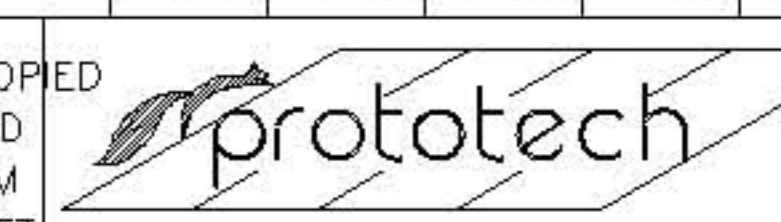


SCALE 1:2



SECTION B-B

NOTES:
EMNE ?228, TANNHJUL: DD 225, z = 225 TENNER

-	-	-	-	-	-	-	-
-	-	-	-	-	-	-	-
-	-	-	-	-	-	-	-
-	-	-	-	-	-	-	-
A	FIRST DRAWING	971107PH	ASI	-	RR	RDS	
Issue:	Status/Change:	Date:	Constr:	Drawn:	Check:	Prod:	App.:
Draw stand.:	Material:	THIS DRAWING SHALL NOT BE COPIED OR COMMUNICATED TO ANY THIRD PERSON WITHOUT CONSENT FROM PROTOTECH A.S. N-5036 FANTOFT NORWAY.					
NS (CORRESP. ISO) AL 6082 T6	Material:						
General tol.:	Mat. cert.:						
NS ISO 2768-1	Mat. cert.:						
Surf. rough.:	Proj.:	Scale:	Org. format:				
3.2		1:1	A2				
Title:		NOT - NORDIC OPTICAL TELESCOPE			Draw. no.:		
		GEAR A			97621_01_04_12_PRT_A		
		PART DRAWING					