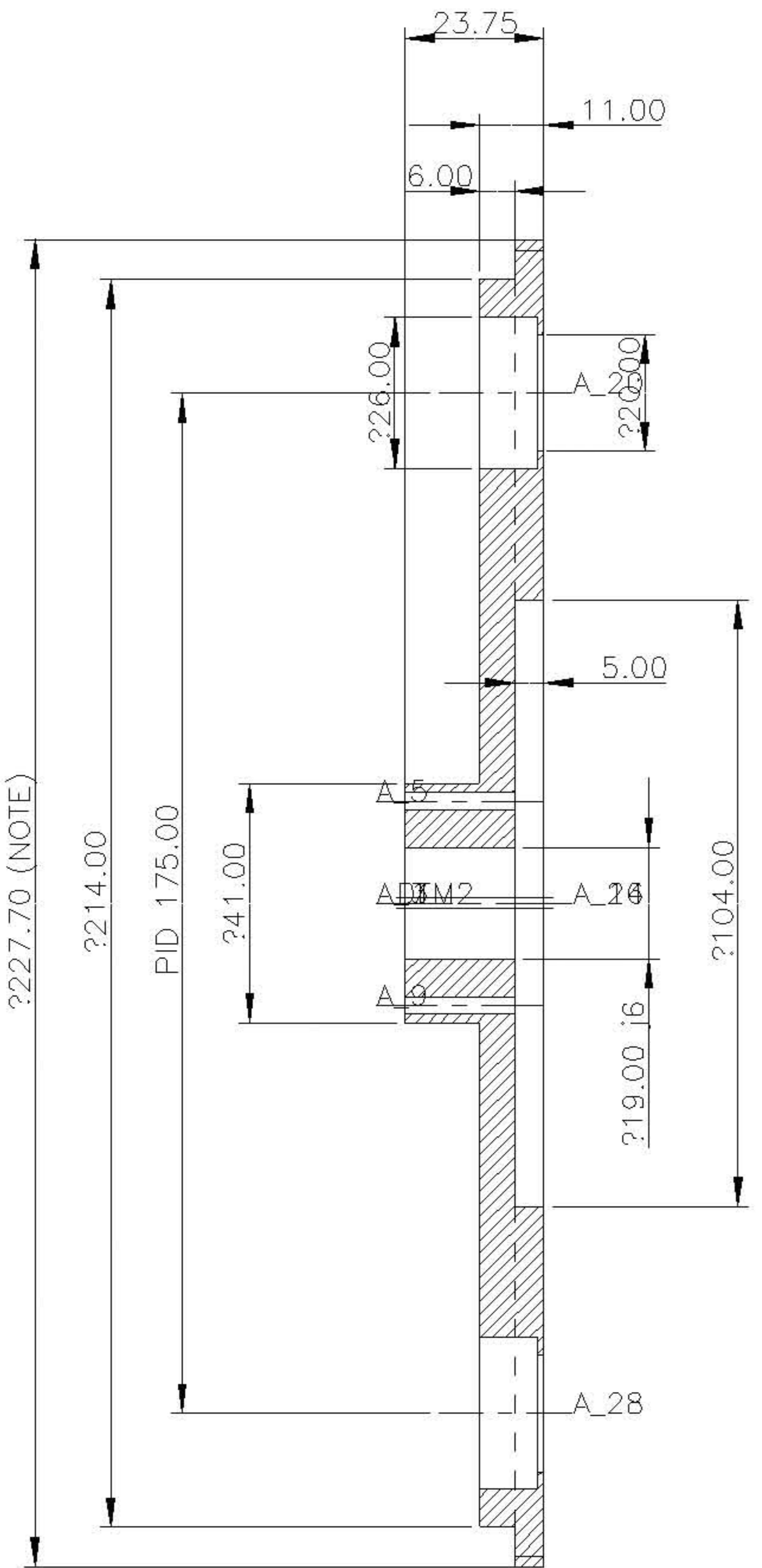
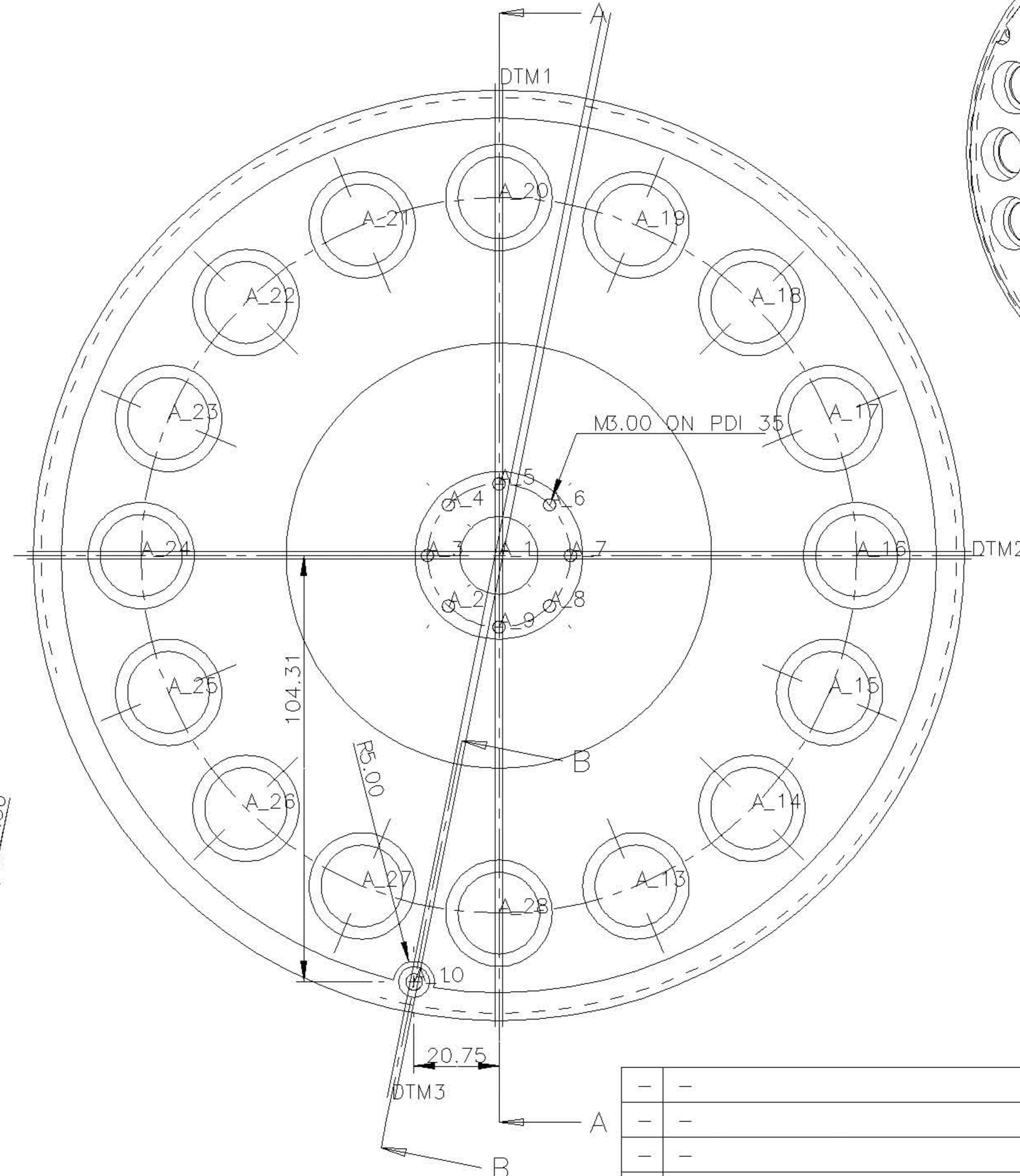
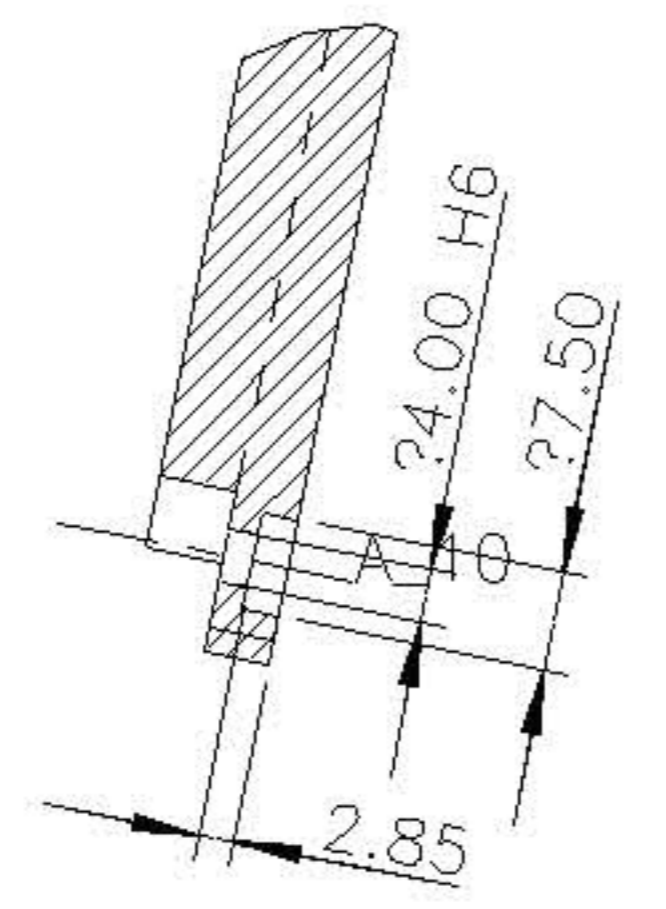


SCALE 1:2



SECTION A-A

SECTION B-B



NOTE:
EMNE ?228, TANNHJUL:DD 225, M = 1, z = 225 TENNER

-	-	-	-	-	-	-	-
-	-	-	-	-	-	-	-
-	-	-	-	-	-	-	-
-	-	-	-	-	-	-	-
A	FIRST DRAWING	971107PH	ASI	-	RR	RDS	
Issue:	Status/Change:	Date:	Constr:	Drawn:	Check:	Prod:	App.:
Draw stand:	Material:	THIS DRAWING SHALL NOT BE COPIED OR COMMUNICATED TO ANY THIRD PERSON WITHOUT CONSENT FROM PROTOTECH A.S. N-5036 FANTOFT NORWAY.					
NS (CORRESP. ISO) AL 6082 T6	Material cert.:						
General tol:	Mat. cert.:						
NS ISO 2768-1							
Surf. rough:	Proj.:	Scale:	Org. format:				
3.2		1:1	A2				
Title:		NOT - NORDIC OPTICAL TELESCOPE GEAR C PART DRAWING				Draw. no.:	
						97621_01_04_14_PRT_A	