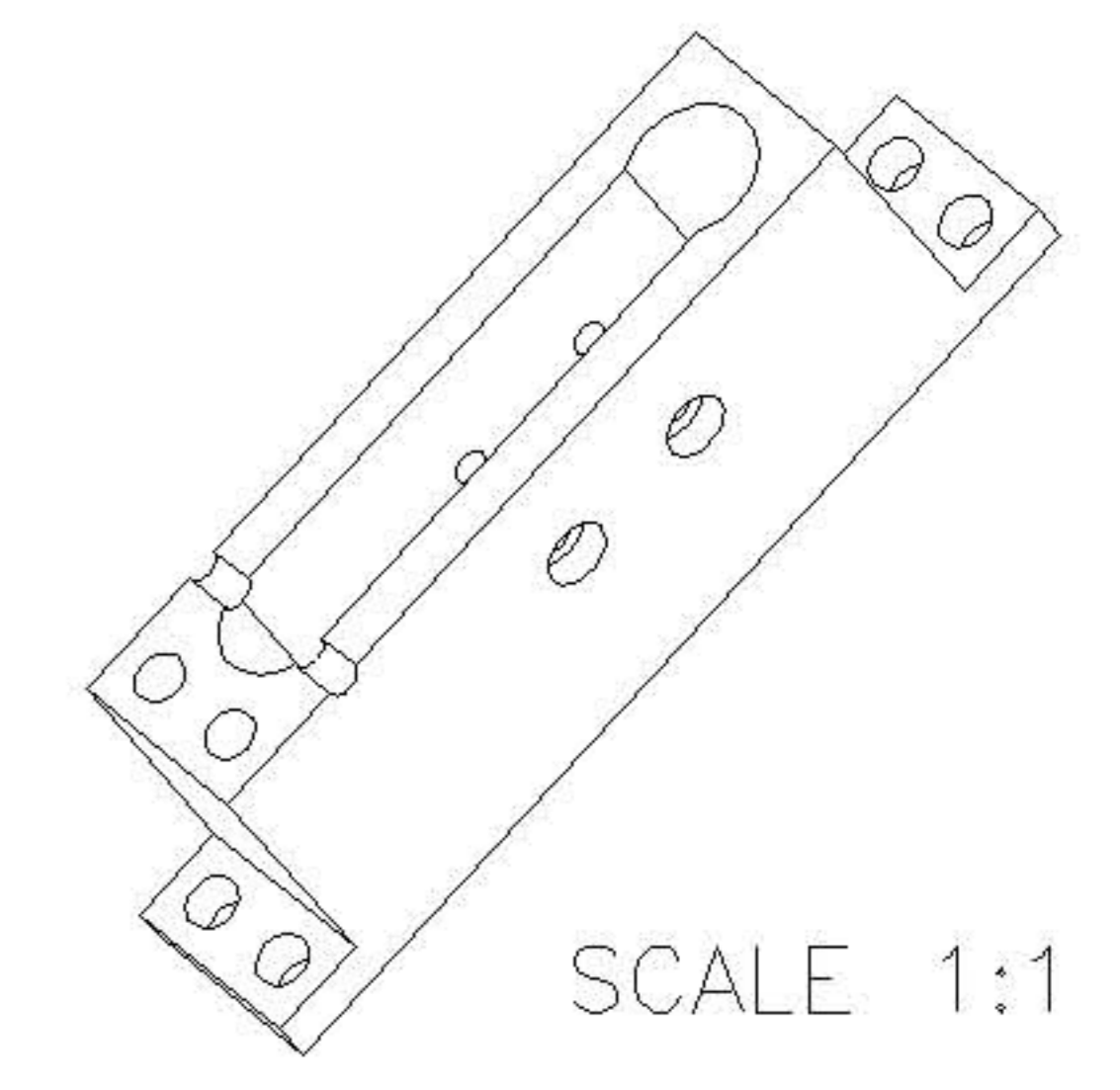
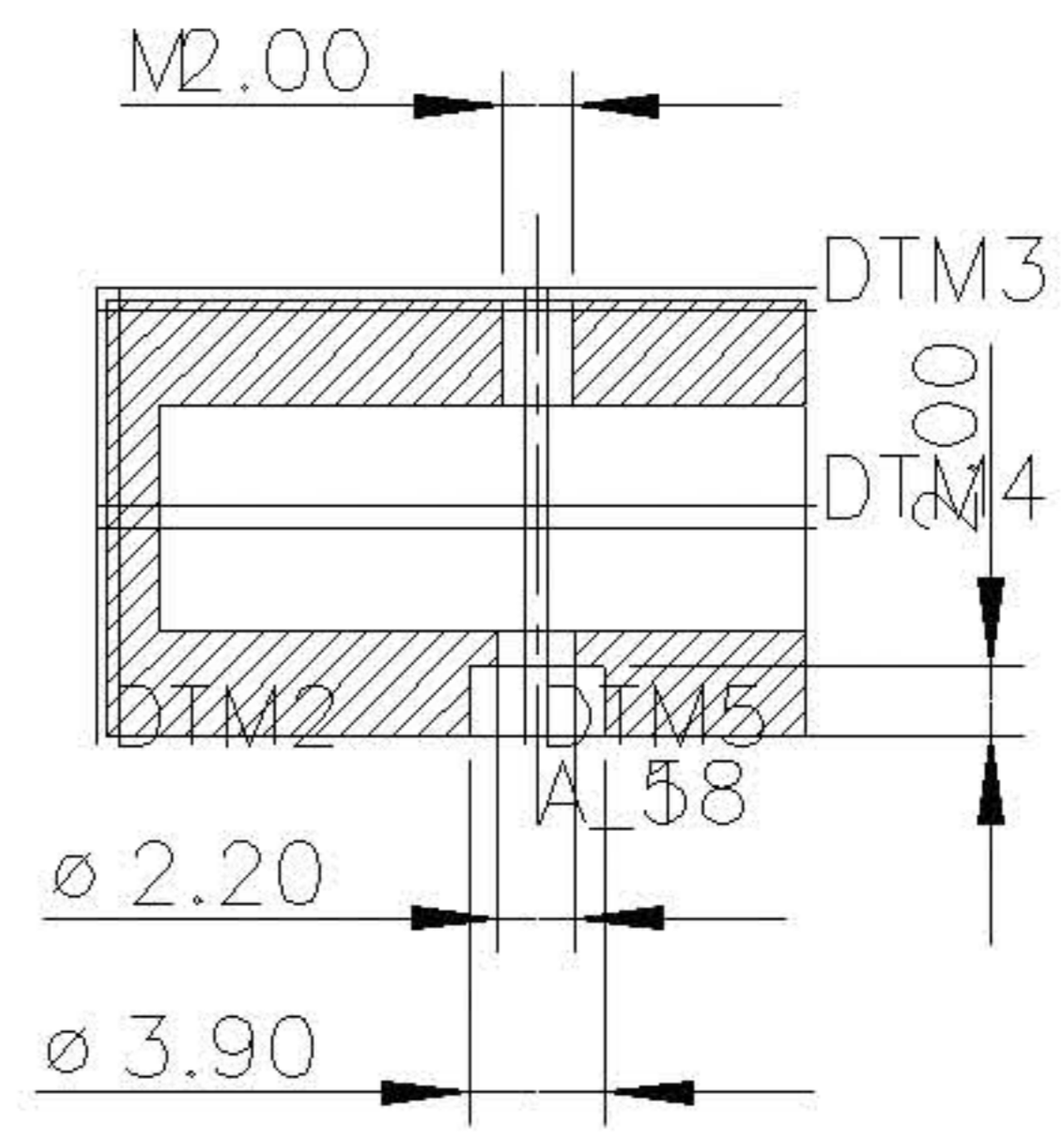
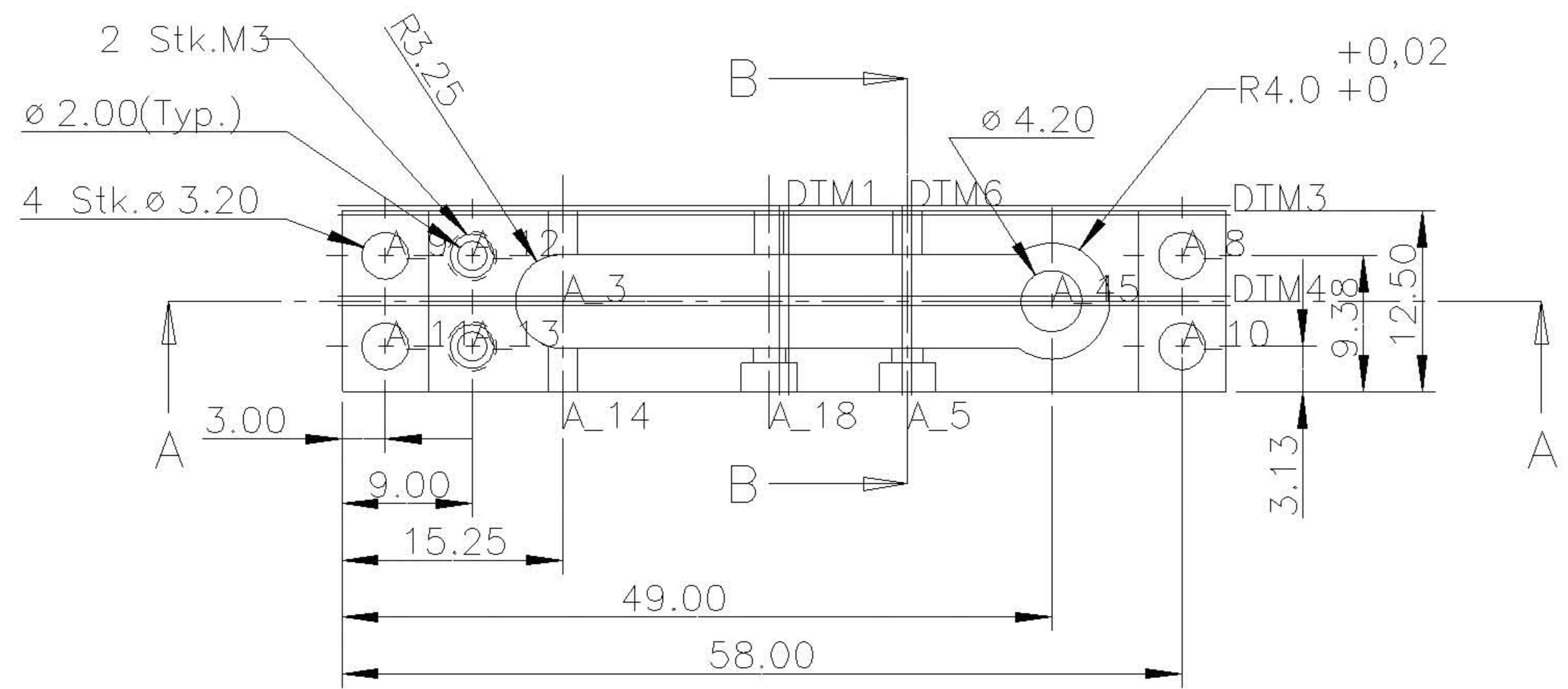


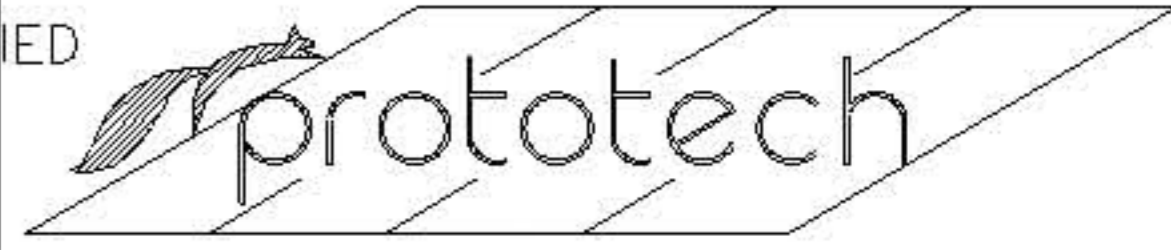
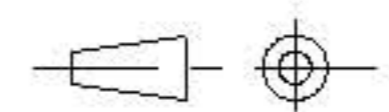
SECTION A-A



SCALE 1:1



SECTION B-B

A	—	—	—	—	—	—	—	—	Draw stand.: NS (CORRESP.ISO)	Material: Al 6082-T6	THIS DRAWING SHALL NOT BE COPIED OR COMMUNICATED TO ANY THIRD PERSON WITHOUT CONSENT FROM PROTOTECH A.S. N-5036 FANTOFT NORWAY.	
	—	—	—	—	—	—	—	General tol.: NS ISO 2768-1	Mat. cert.:			
	—	—	—	—	—	—	—	Surf. rough.: 3.2	Proj.: 	Scale: 2:1		Org. format: A3
	—	—	—	—	—	—	—	—	Title: NOT - NORDIC OPTICAL TELESCOPE BODY PART DRAWING		Draw. no.:	97621_00_02_03_PRT_A
	Issue:	Status/Change:	Date:	Constr:	Drawn:	Check:	Prod:	App.:				