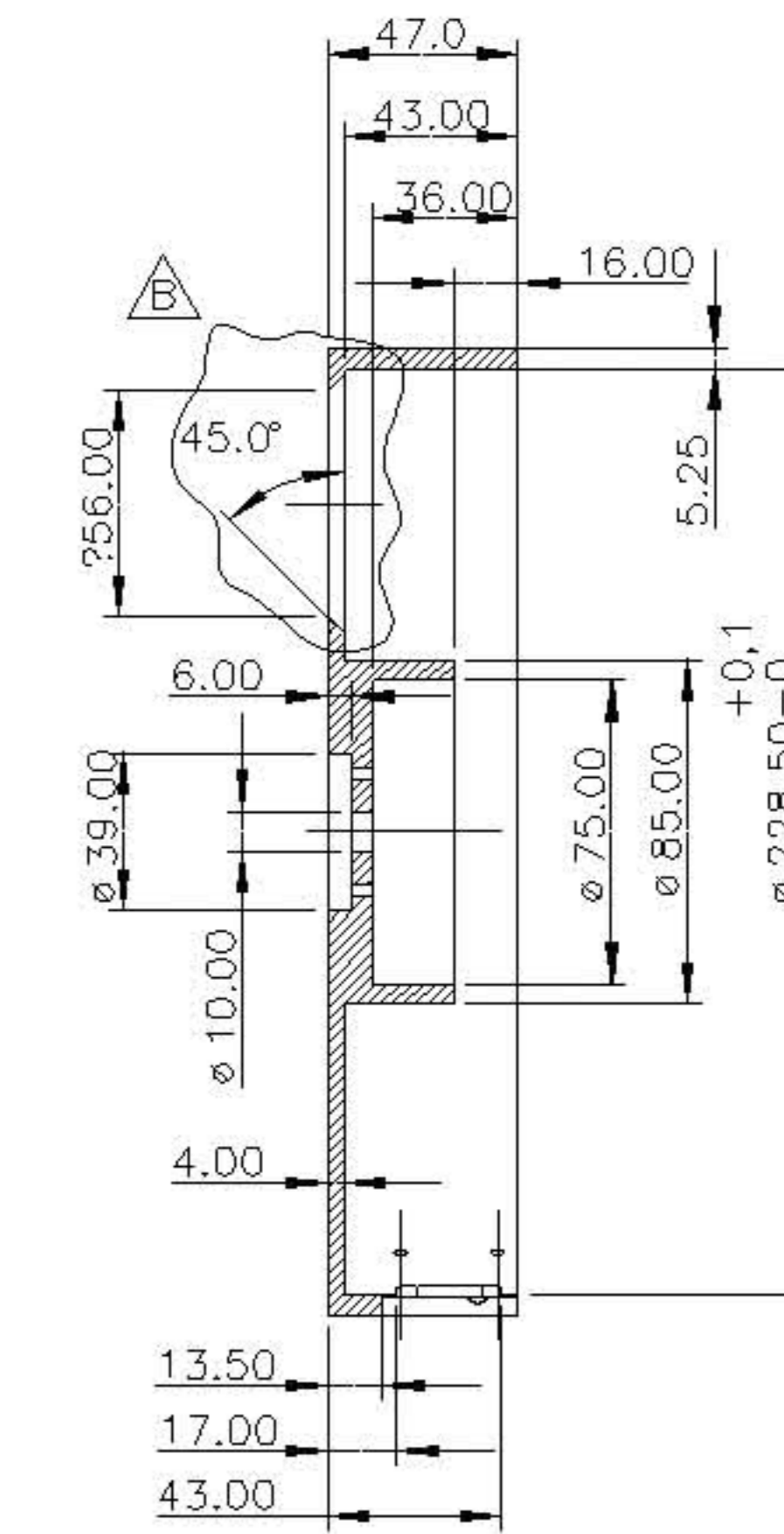
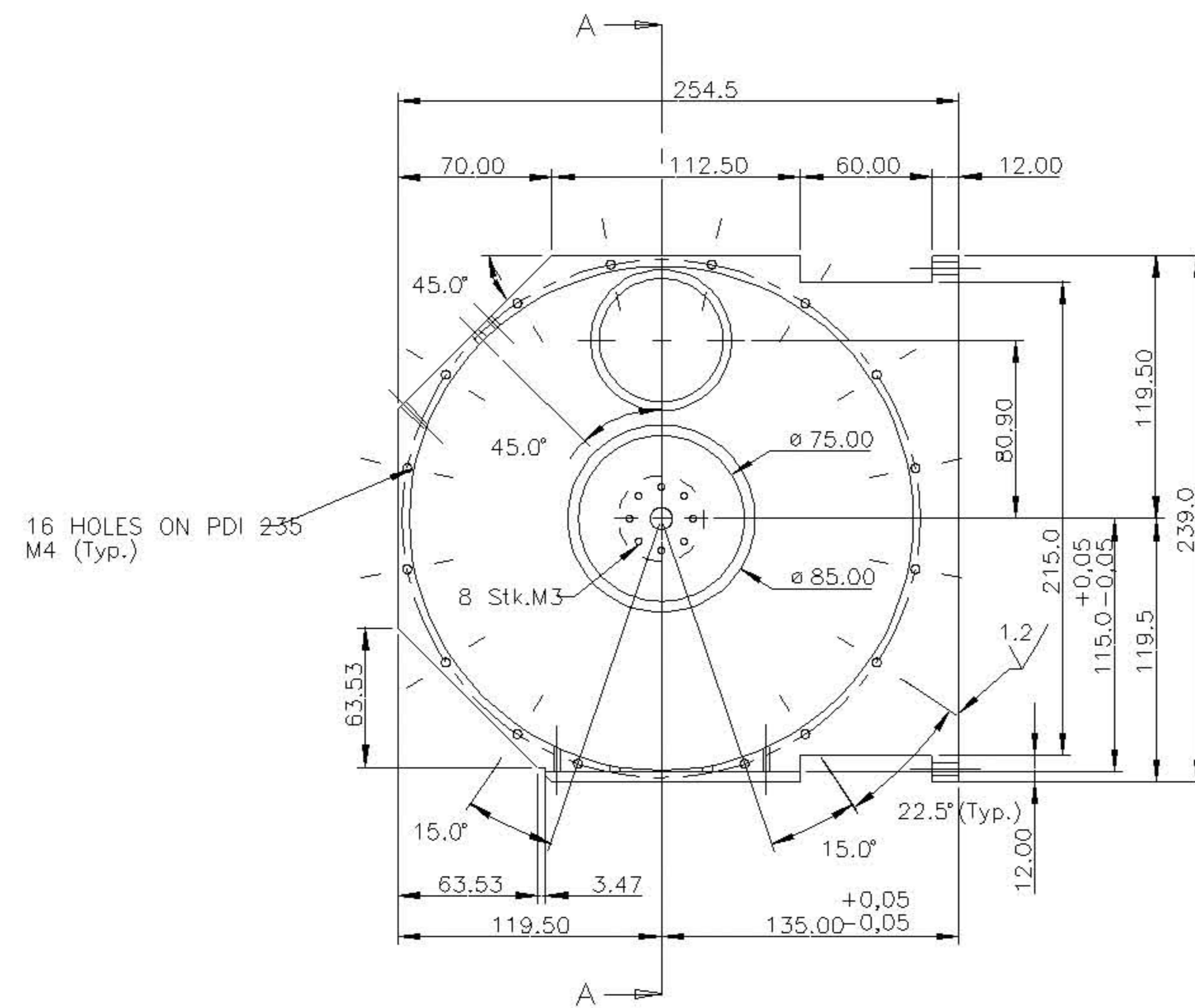
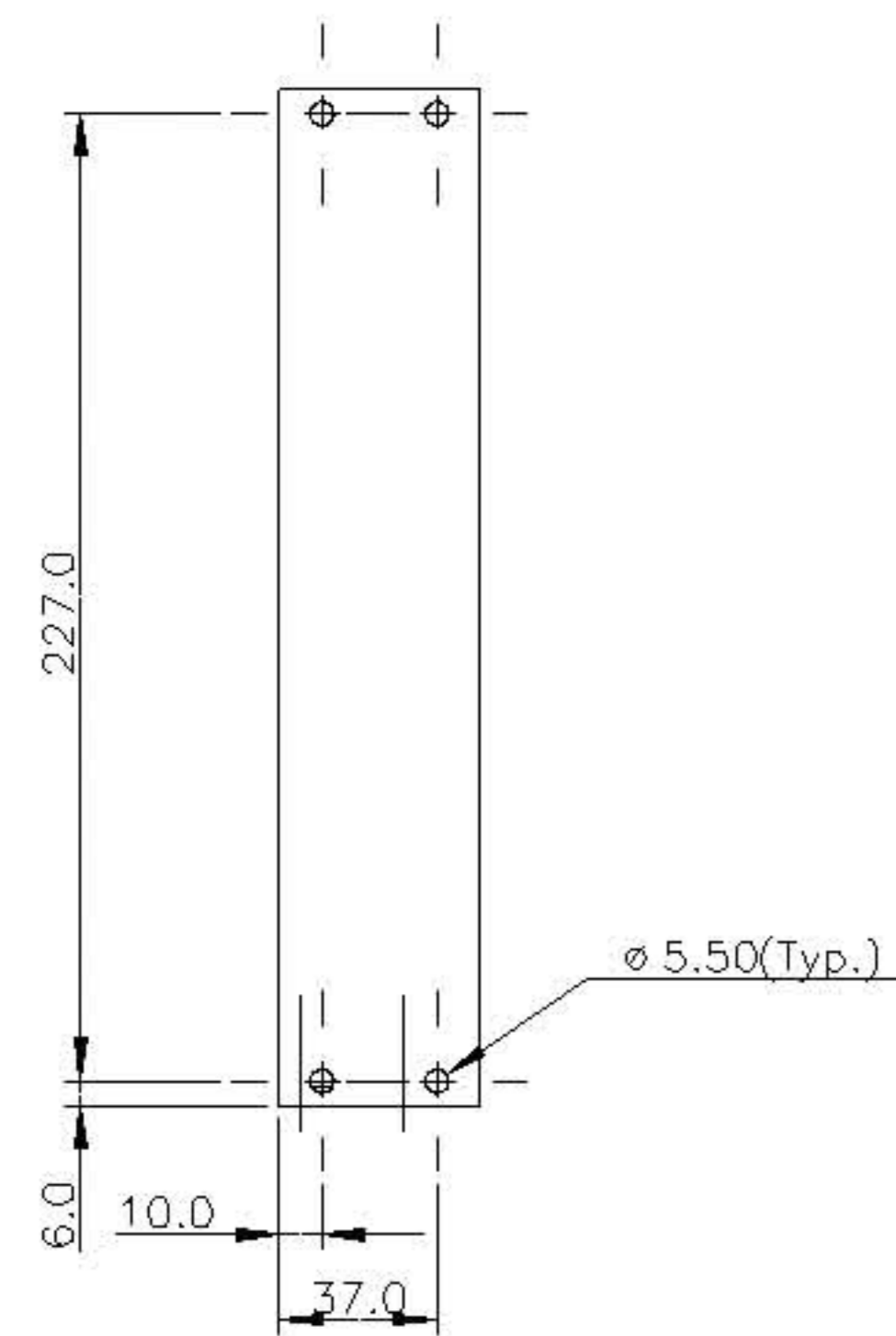
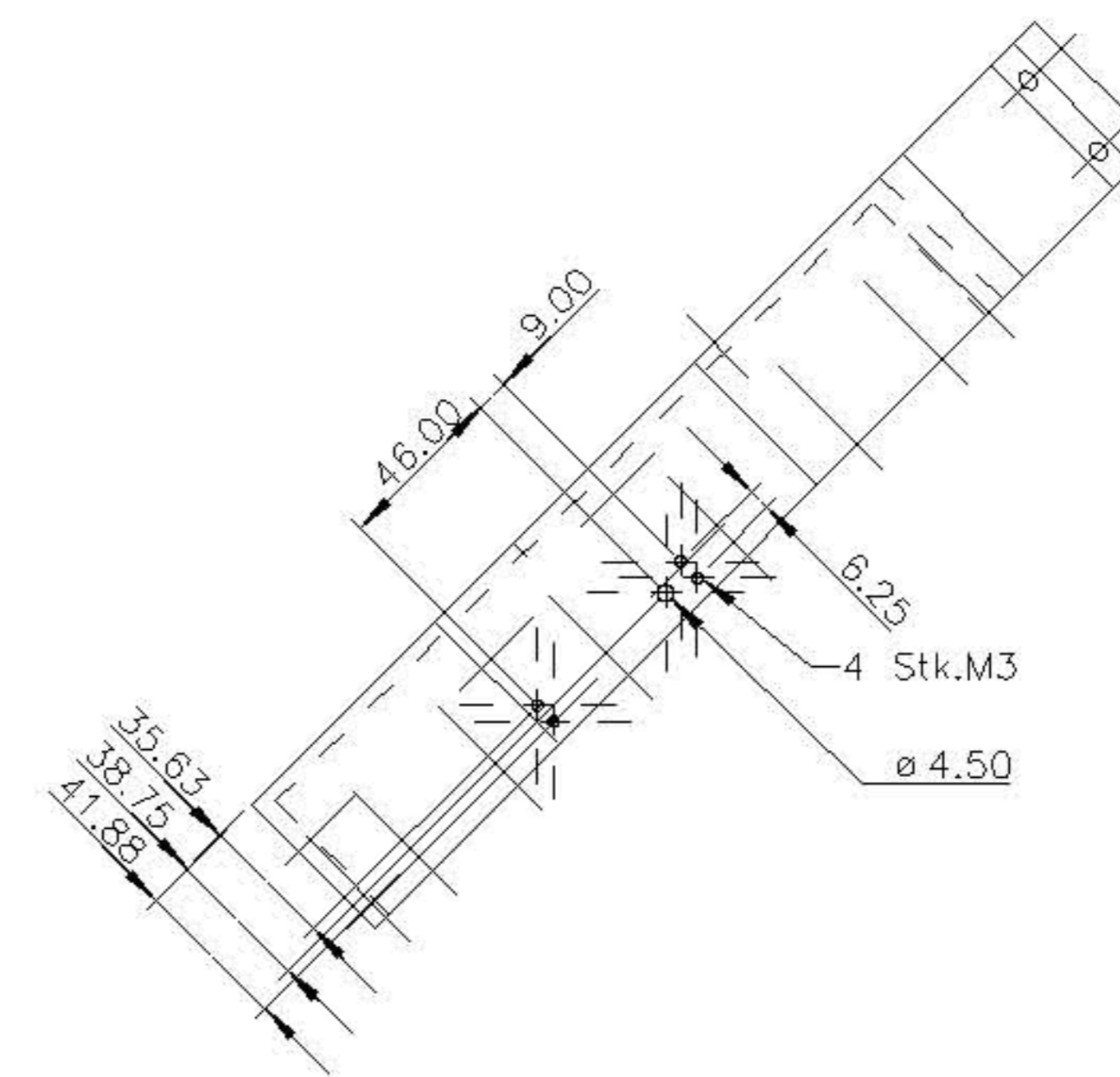


SCALE 1:2



SECTION A-A



-	-	-	-	-	-
-	-	-	-	-	-
-	-	-	-	-	-
B	CHAMFER ON HOLE ?56	971217PH ASI	-	-	RDS
A	FIRST DRAWING	311097PH AMAA	-	RR	RDS
Issue:	Status/Change:	Date:	Constr:	Drawn:	Check:
Draw stand.:	Material:	THIS DRAWING SHALL NOT BE COPIED OR COMMUNICATED TO ANY THIRD PERSON WITHOUT CONSENT FROM PROTOTECH A.S. N-5036 FANTOFT NORWAY.			
General tol.:	Mat. cert.:				
Surf. rough.:	Proj.:				
Title:	NOT - NORDIC OPTICAL TELESCOPE ENCLOSURE PART DRAWING		Scale:	Orig. format:	
			1:2	A1	
			Draw. no.:	97621_01_02_01_PRT_B	