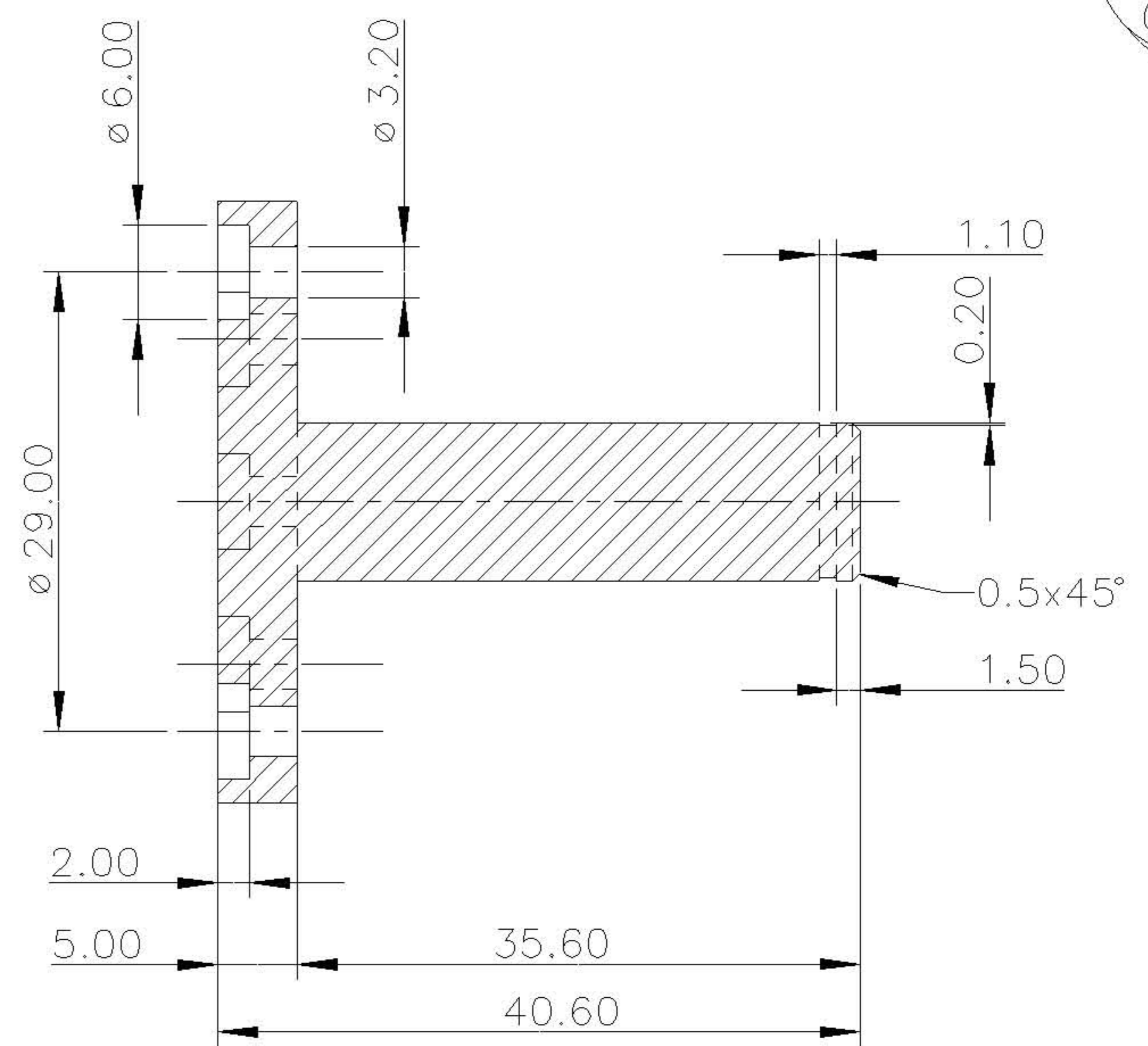
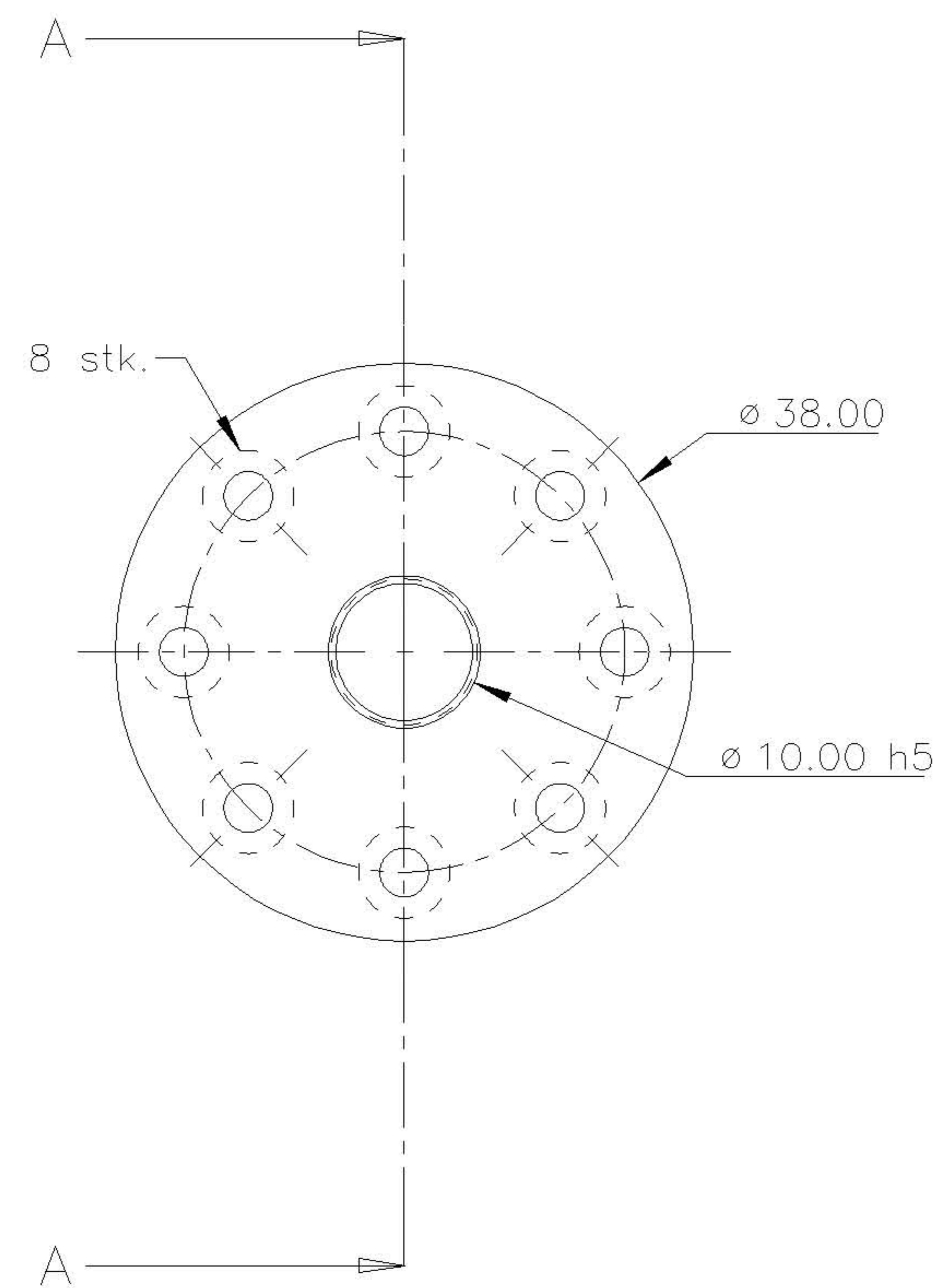
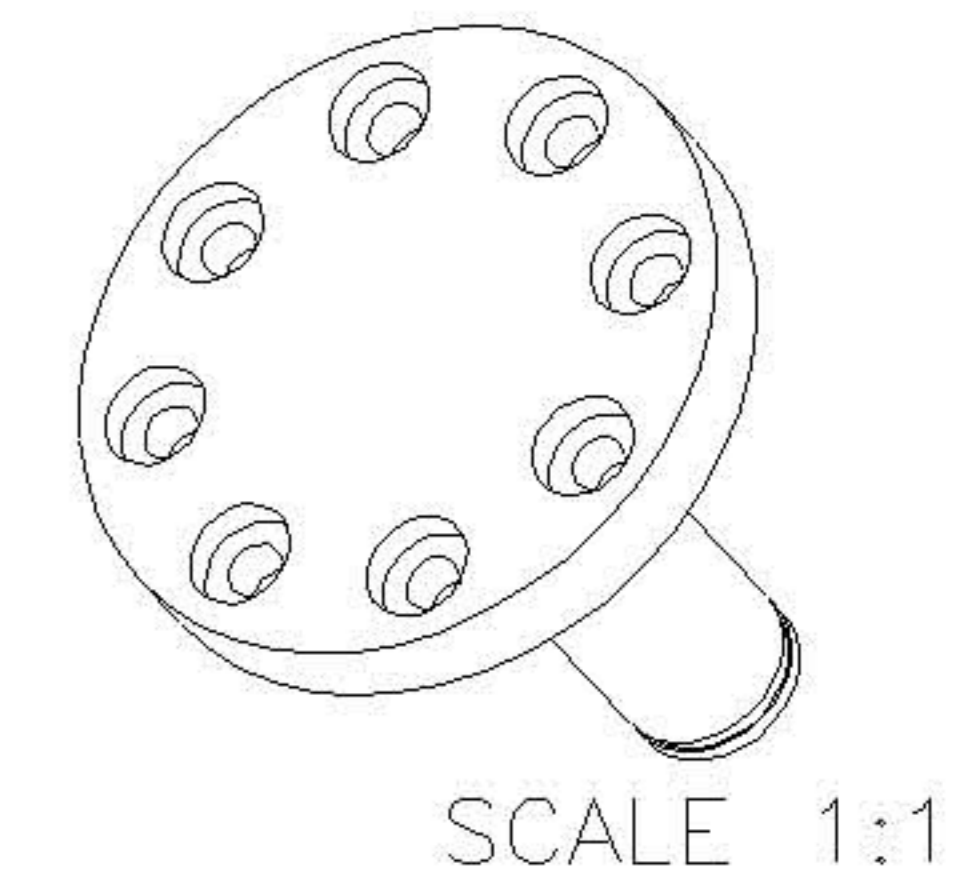


1 2 V 3 4 5 6

D

D



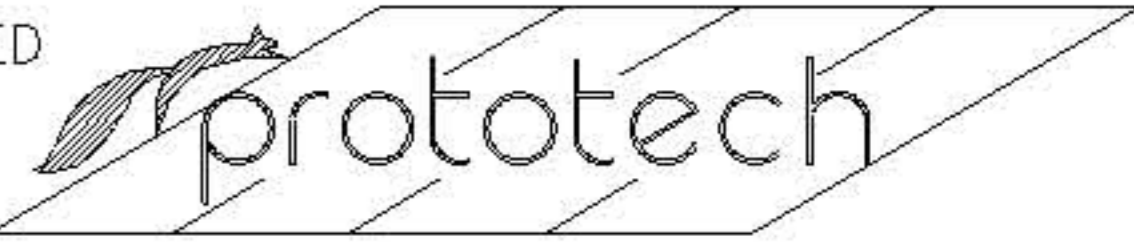
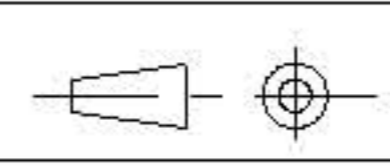
SECTION A-A

B

B

A

A

—	—	—	—	—	—	—	—	Draw stand.: NS (CORRESP. ISO)	Material: AISI 316	THIS DRAWING SHALL NOT BE COPIED OR COMMUNICATED TO ANY THIRD PERSON WITHOUT CONSENT FROM PROTOTECH A.S. N-5036 FANTOFT NORWAY.	
—	—	—	—	—	—	—	General tol.: NS ISO 2768-1	Mat. cert.:	Scale: 2:1		
—	—	—	—	—	—	—	Surf. rough.: 1.2	Proj.: 	Draw. no.: 97621_01_02_05_PRT_A		
A	FIRST DRAWING	311097	PH	AMAA	—	—	—	Title: NOT – NORDIC OPTICAL TELESCOPE STUB SHAFT PART DRAWING			
Issue:	Status/Change:	Date:	Constr:	Drawn:	Check:	Prod:	App.:				

1 2 ^ 3 4 5 6