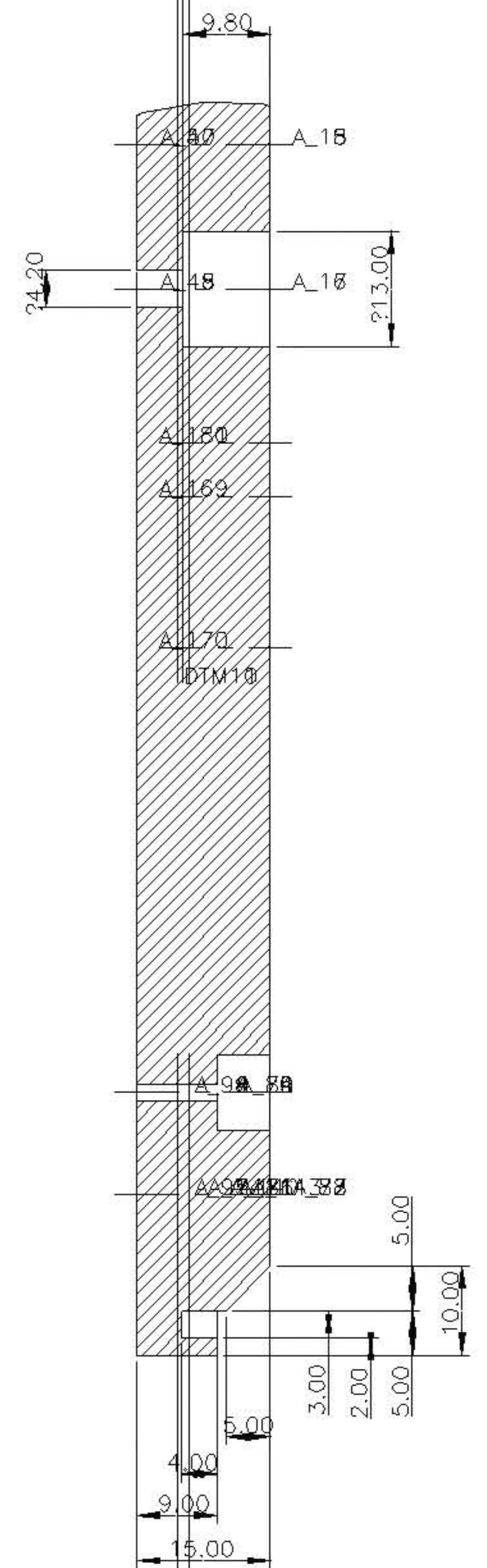
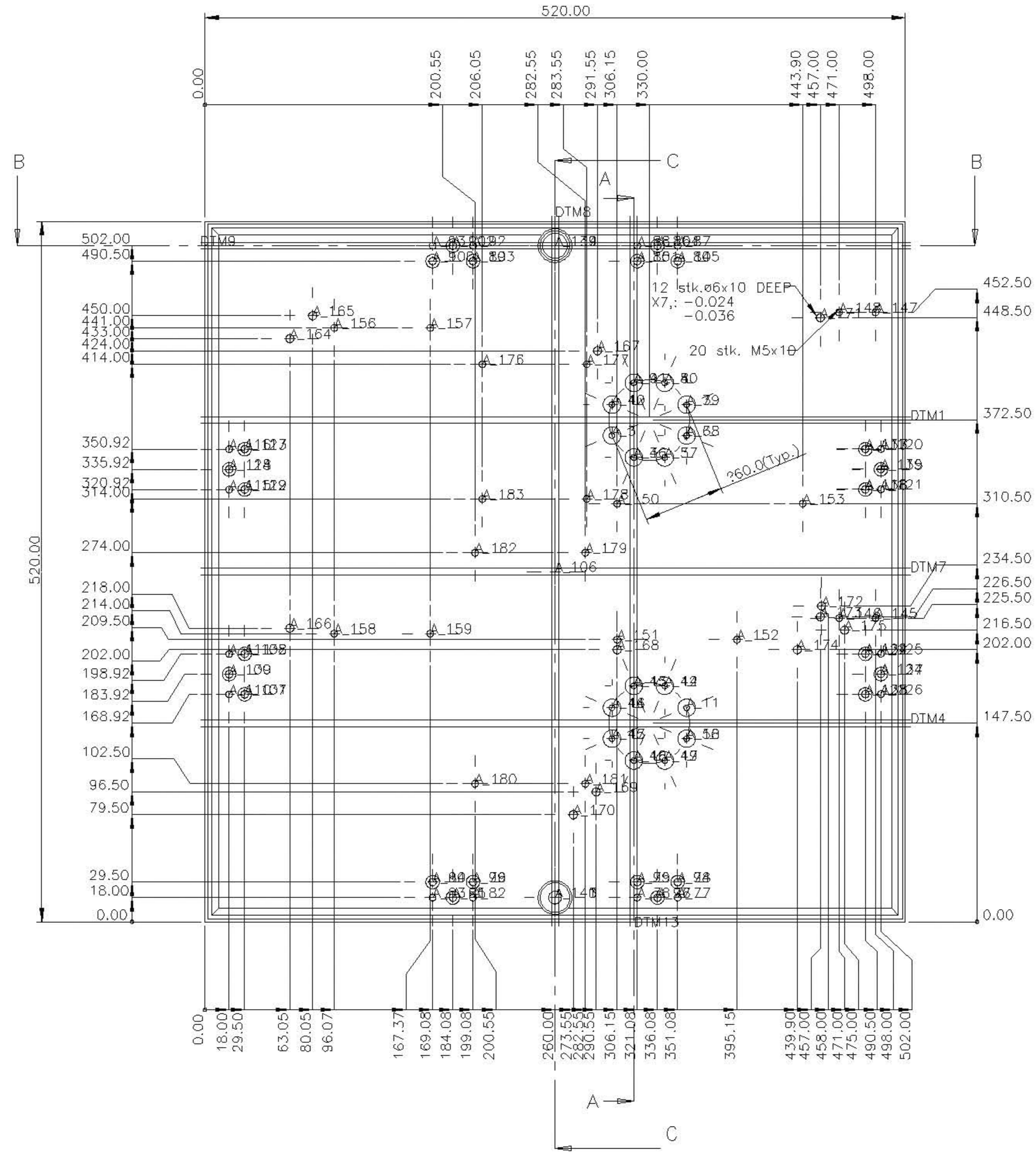
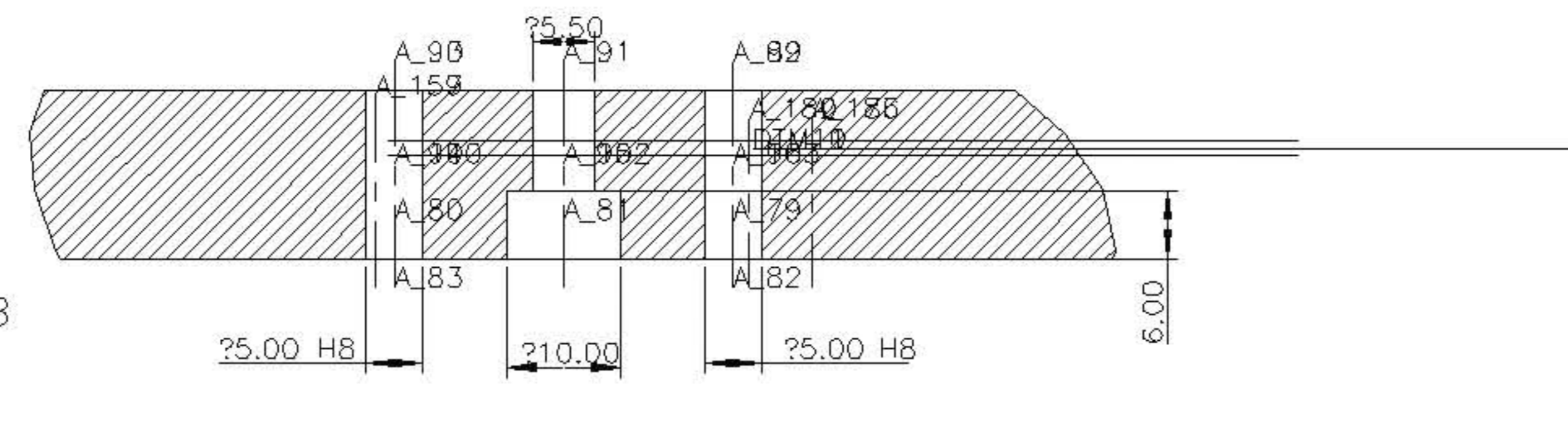


SECTION C-C



SECTION A-A



A FIRST DRAWING		261197PH JYV		RR	RDS
Issue:	Status/Change:	Date:	Constr:	Drawn:	Check:
Draw stand:	Material:	THIS DRAWING SHALL NOT BE COPIED OR COMMUNICATED TO ANY THIRD PERSON WITHOUT CONSENT FROM PROTOTECH A.S. N-5036 FANTOFT NORWAY.			
General tol:	Mat. cert.:				
Surf. rough:	Proj.:				
Title: NOT Mounting Plate PART DRAWING		Scale: 1:2	Org. format: A1	Draw. no.: 97621-01-01-17-PRT-A	