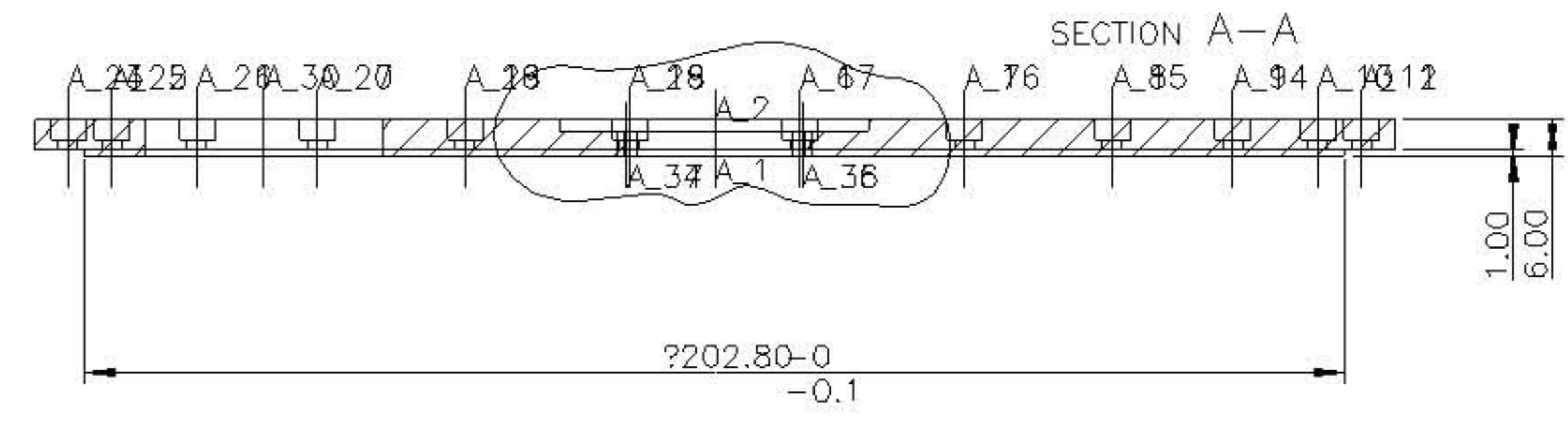
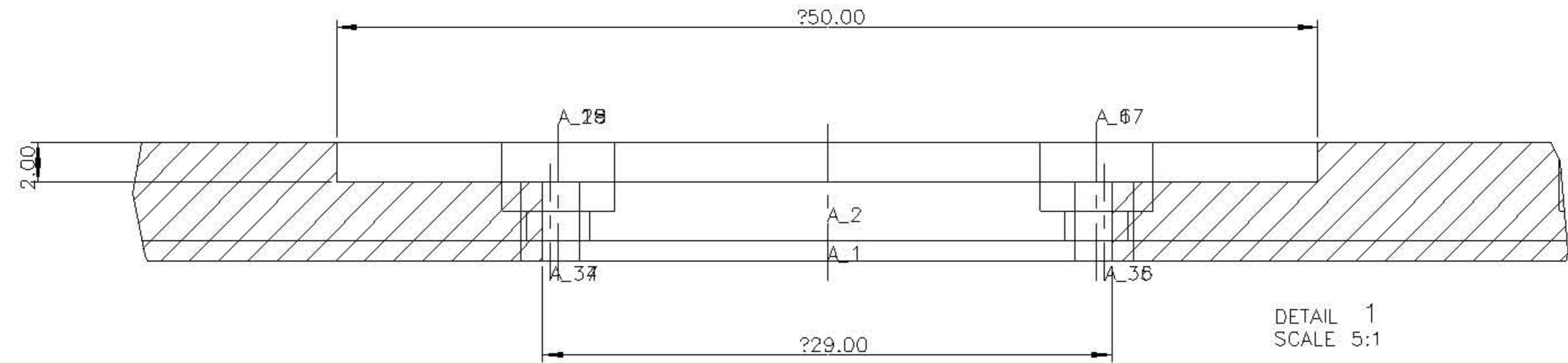
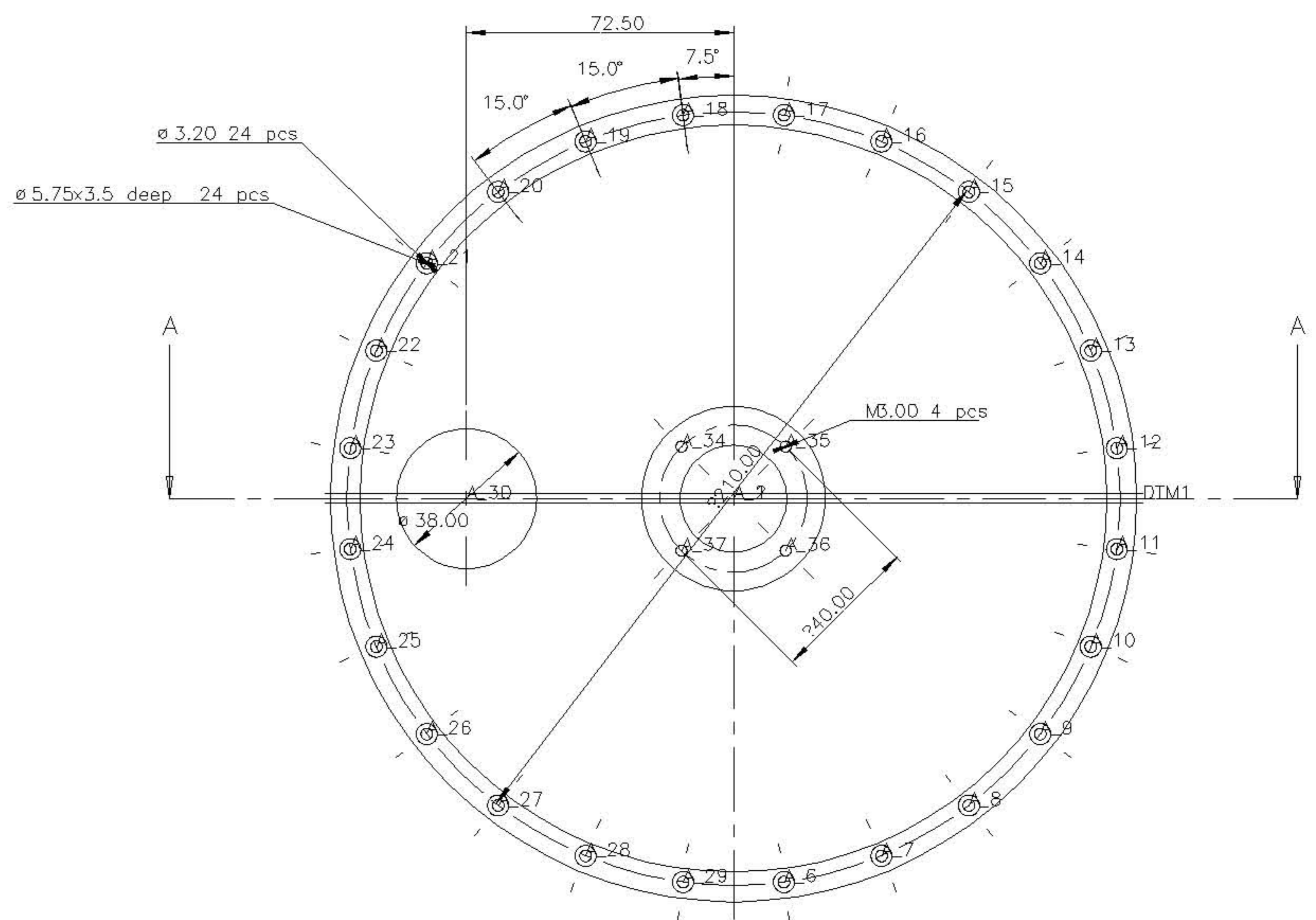
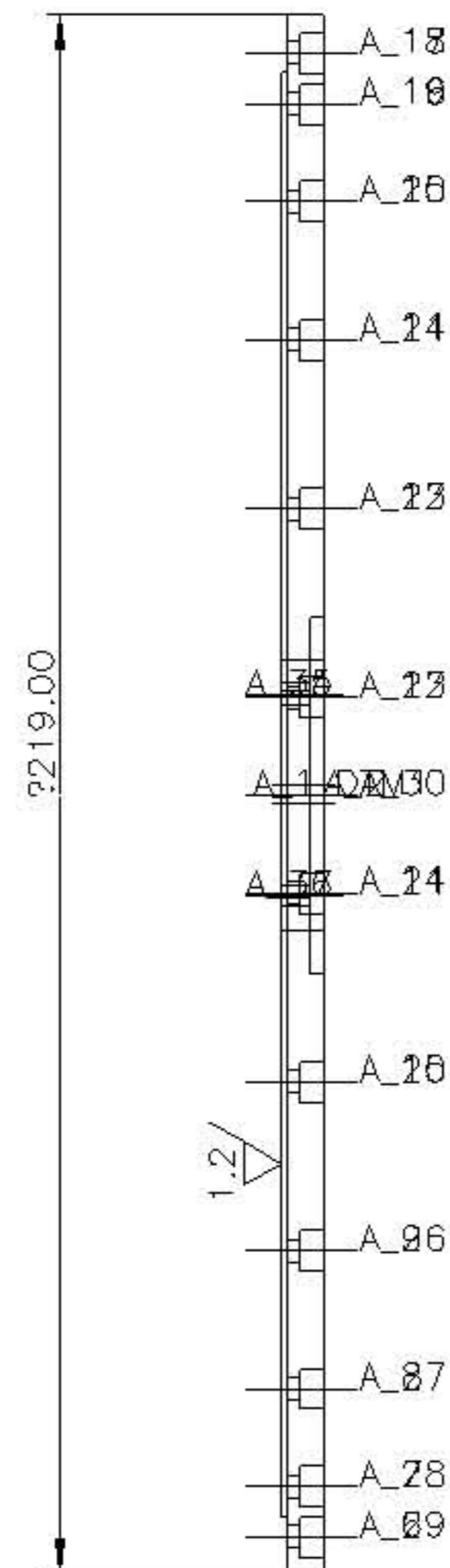


1 2 3 4 5 6 7 8 9 10 11 12

H G F E D C B A



Issue:	Status/Change:	Date:	Constr:	Drawn:	Check:	Prod:	App.:
A	FIRST DRAWING	071197	PH	JVV	-	RR	RDS
Draw stand.:	Material:	THIS DRAWING SHALL NOT BE COPIED OR COMMUNICATED TO ANY THIRD PERSON WITHOUT CONSENT FROM PROTOTECH A.S. N-5036 FANTOFT NORWAY.					
General tol.:	Mat. cert.:						
Surf. rough.:	Proj.:						
Scale:	Orig. format:						
Title: NOT Shutter Unit Shutter cover plate PART DRAWING		Scale: 1:1	Orig. format: A1		Draw. no.: 97621-01-06-04-PRT-A		

1 2 3 4 5 6 7 8 9 10 11 12

A B C D E F G H