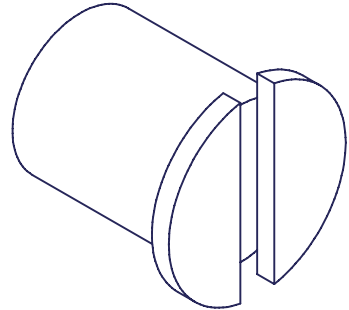



A-A (12:1)



Institute of Physics and Astronomy Aarhus Universitet		<b>IFA</b> 	Mtr	Stainless Steel, 304
			Designer	John E. Andersen
		Project	Input V-Block	
		Creation date	Last saved	Rev no.
		13-10-2004	27aug04 - 8:48am	A3
Rev	Changes	Date	Name	Q:\Inventor DWG\Søren Frandsen\FIES\Input V-block\Lukker2-Aksel excentrik.ipt