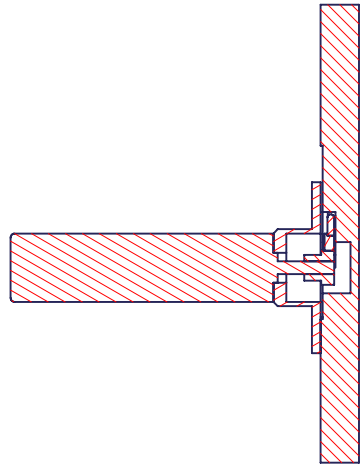
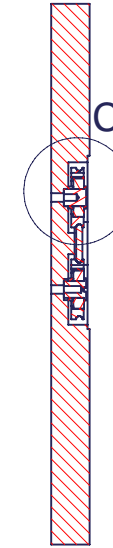


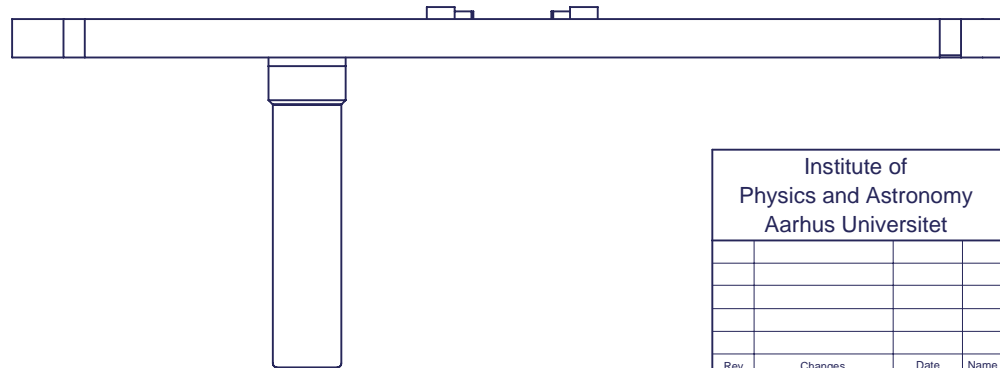
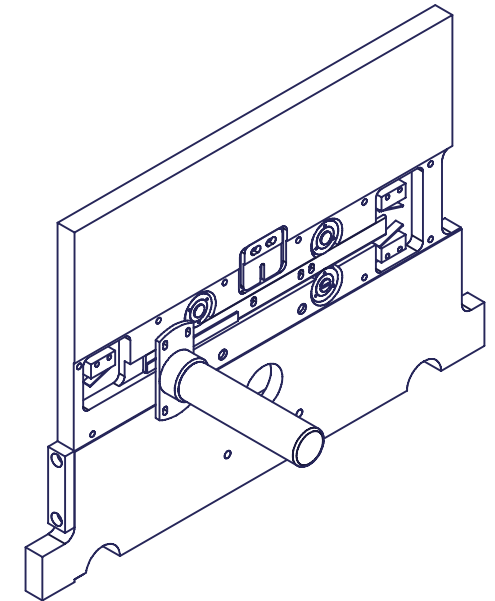
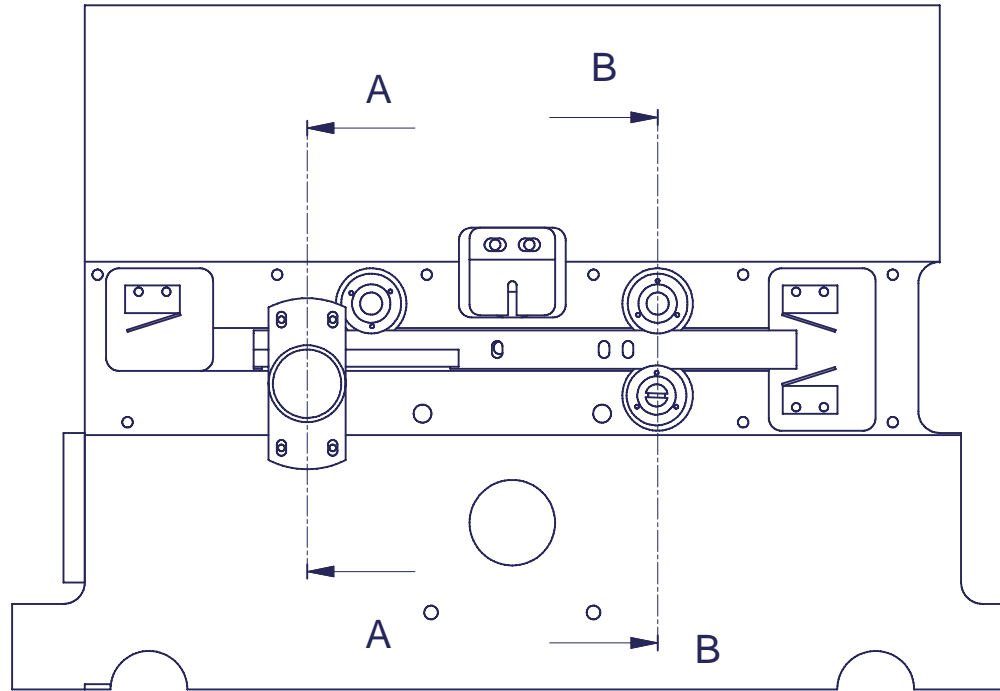
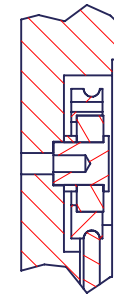
A-A (0,80 : 1)




B-B (0,80 : 1)



C (2 : 1)



Institute of Physics and Astronomy Aarhus Universitet				IFA 		Mtr Designer John E. Andersen	
				Project V-Block			
				Creation date Last saved			
				20-09-2004 27aug04 - 8:48am		Rev no.	
						0-Ass lukker	
Rev Changes Date Name				Q:\Inventor DWG\Søren Frandsen\FIES\Input V-block\Lukker\0-Ass lukker.iam		A3	