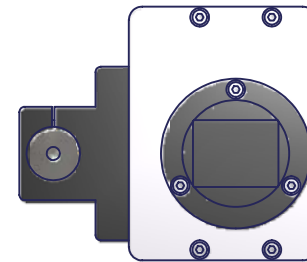
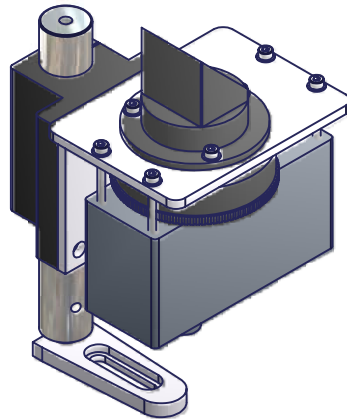
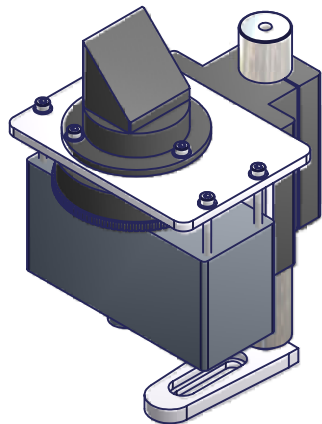



Plads for
mountings flange
til shutter



Institute of Physics and Astronomy Aarhus Universitet		IFA 		Mtr Designer John E. Andersen
		Project Photon head		Rev no. A3
		Creation date Last saved 27-04-2007 14sep06 - 12:23pm		
Rev	Changes	Date	Name	Q:\Inventor DWG\Søren Frandsen\FIES\Photon counting head\0-Ass Photon head.iam