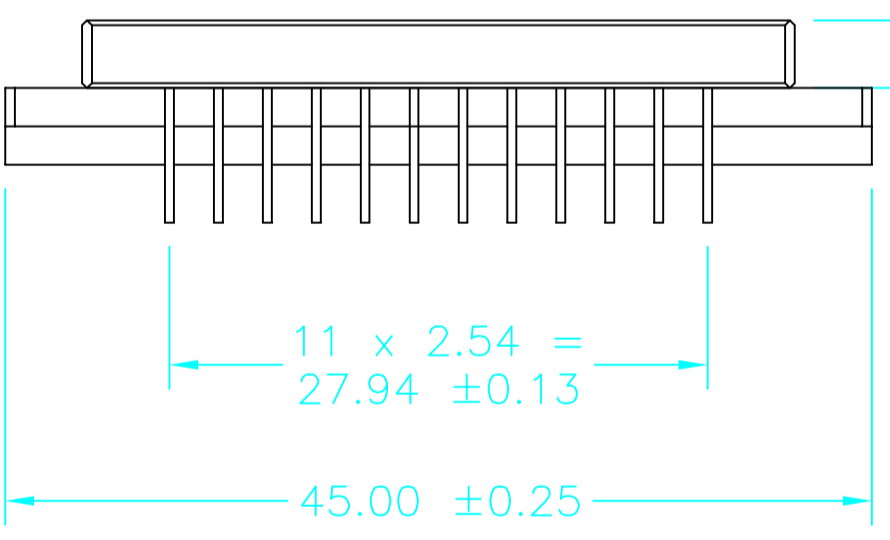
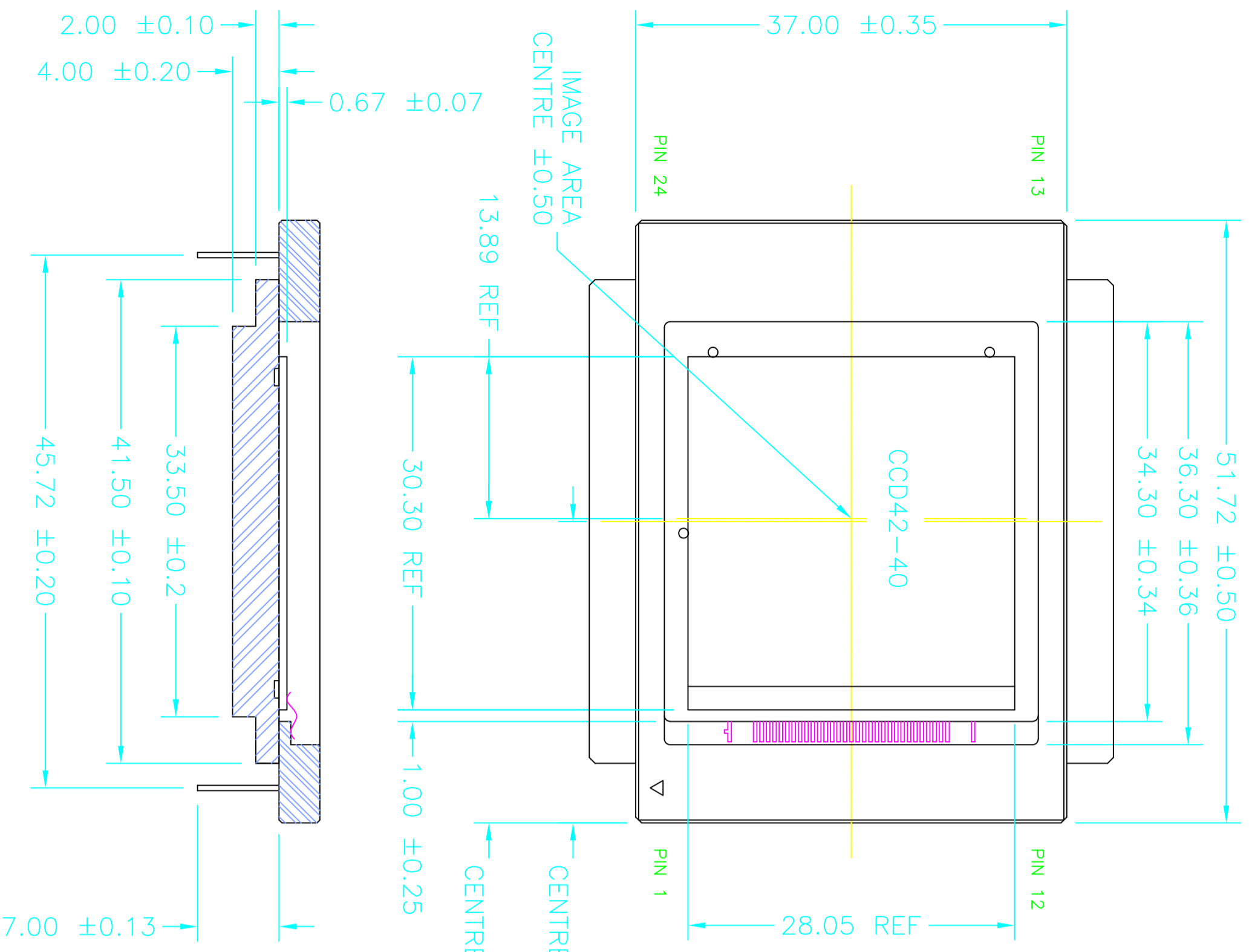


Copyright Marconi Applied Technologies Limited. The copyright in this document is the property of Marconi Applied Technologies Limited and the contents may not be revealed to third parties without the prior written permission of Marconi Applied Technologies Limited.

FORMERLY	USED ON	THIRD ANGLE PROJECTION	AUTOCAD FILE	CAD FILE NAME
----------	---------	------------------------	--------------	---------------



PIN FUNCTION	PIN NUMBER
SS	1,12,13,24
OG1	2
OSL	3
ODL	4
RDL	5
DD	6
DG	7
RDR	8
ODR	9
OSR	10
OG2	11
ØR	14
SW	15
IØ3	16
IØ1	17
IØ2	18
RØ2L	19
RØ1L	20
RØ3	21
RØ1R	22
RØ2R	23

MATERIAL	SPEC.	ORIGINAL SCALE	2:1	TITLE	Marconi Applied Technologies Limited Waterhouse Lane Chelmsford, Essex CM1 2QU England.	SHEET	E1	ISSUE	10.05.02	ECR NUMBER		APPROVED	
FINISH	SPEC.	TOLERANCE EXCEPT WHERE OTHERWISE STATED DIMENSIONS ±	ANGLES ± 1.00 °	COMPACT CERAMIC PACKAGE CCD42-40	Marconi Waterhouse Lane Chelmsford, Essex CM1 2QU England.	SHEET	1	DATE		NO. OF SHEETS	1	APPROVED	
FINISH	SPEC.	DIMENSIONS EXCEPT WHERE OTHERWISE STATED				DOCUMENT IDENTITY	DAS 547424 BT						
ORIGINALLY DRAWN P. TRINDER		DIMENSIONS EXCEPT WHERE OTHERWISE STATED											
CHANGED BY		OTHERWISE STATED											
CHECKED		SURFACE TEXTURE EXCEPT WHERE OTHERWISE STATED BS 1134 1.60µm											
FOR GENERAL MANUFACTURING INSTRUCTIONS REFER TO SPECIFICATION AS-3-5		IMPERIAL AND AUXILIARY DIMENSIONS ARE SHOWN IN BRACKETS. DIMENSIONS AND TOLERANCES APPLY TO THE MANUFACTURED PART INCLUDING ANY FINISH THIS DOCUMENT SPECIFICS.											