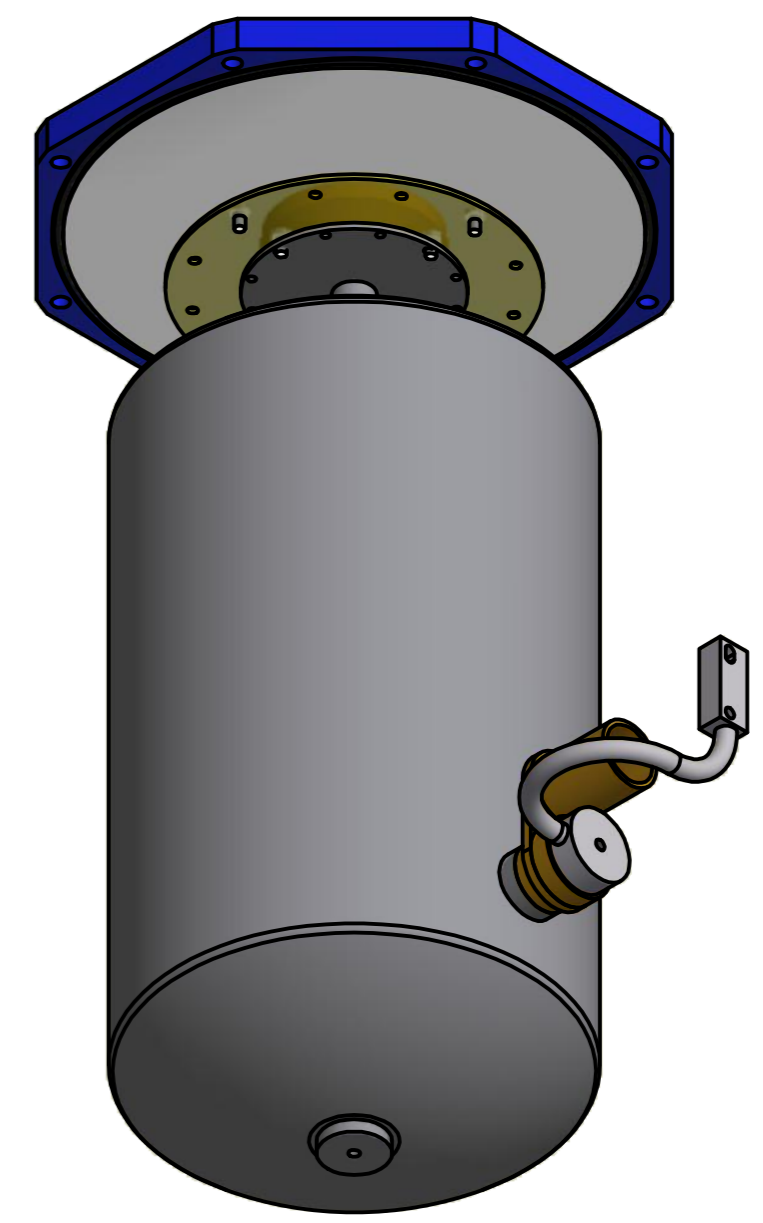
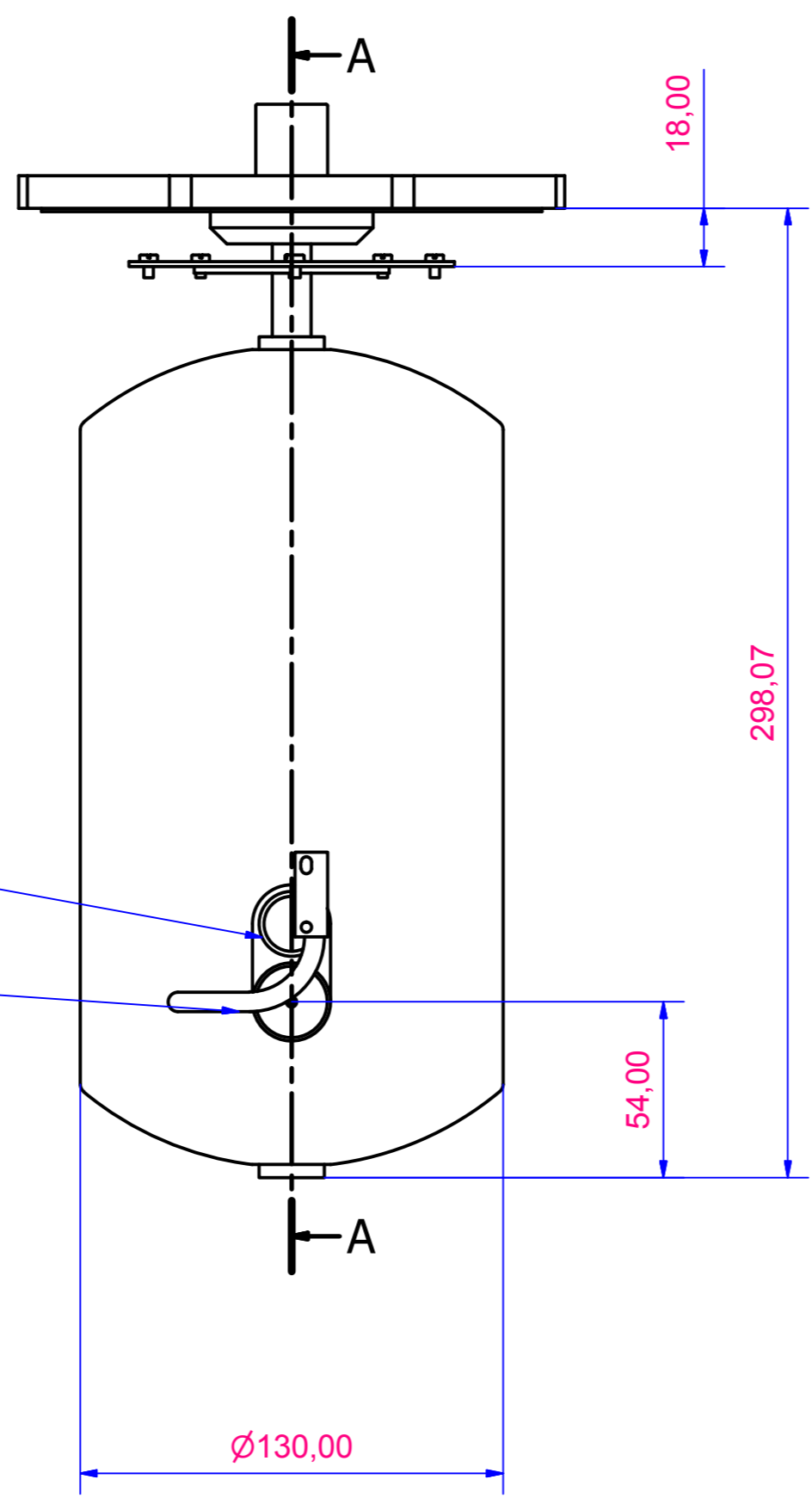
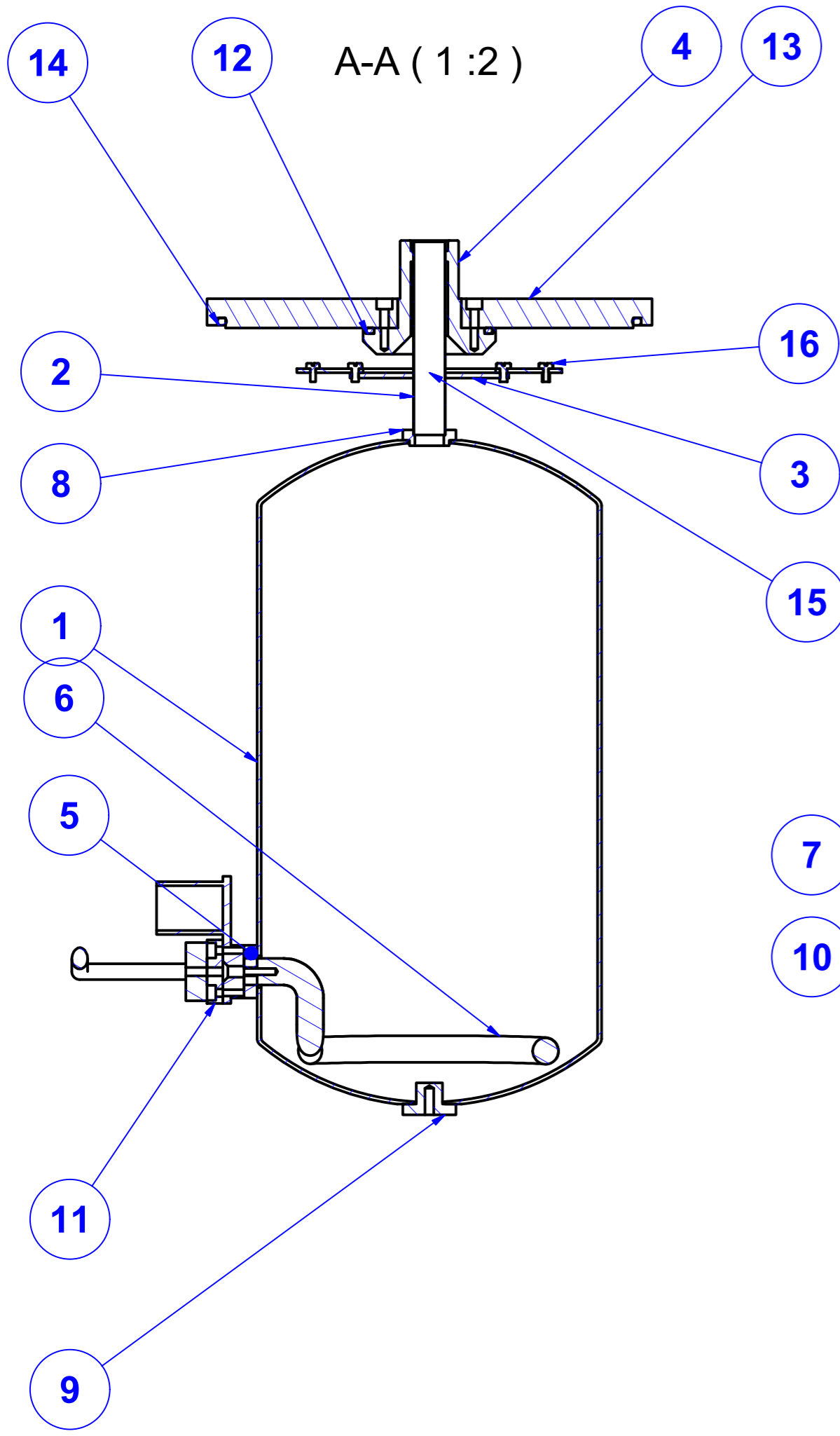


8 7 6 5 4 3 2 1



Parts List				
ITEM	QTY	PART NUMBER	MATERIAL	MASS
1	1	TANK#6	Stainless Steel	1,344 kg
2	1	#8 Inlet Pipe	Stainless Steel	0,002 kg
3	1	#8 Shield Support	Stainless Steel	0,043 kg
4	1	LN2STUB	Brass, Soft Yellow	0,188 kg
5	1	#8 Cold Finger Base	Stainless Steel	0,013 kg
6	1	#8 Cold Finger Spiral	Copper	0,219 kg
7	1	#8 Sieve02	Brass, Soft Yellow	0,055 kg
8	1	#8 Top Bottle Bushing	Stainless Steel	0,008 kg
9	1	#8 Bottom Bottle Bushing	Stainless Steel	0,015 kg
10	1	#8 Cold Finger	AlMg4.5Mn	0,021 kg
11	1	#8 Cold Finger Adaptor	Brass, Soft Yellow	0,021 kg
12	1	OringØ41.6X3	Rubber	0,001 kg
13	1	#8 Topflange	Aluminum 6061	0,652 kg
14	1	OringØ151.99x3.53	Rubber	0,004 kg
15	1	#8 Fiber Disc	GFRP	0,016 kg
16	8	3x5_DIN84	Brass, Soft Yellow	0,001 kg

Part Name **#8 Inner Tank.iam**

Date 04-03-2014

DWG Version V54

Page no 1

Designed by Niels Michaelsen Approved By

Project Ty. doc. Country WP-Number DWG-Number

NBI_DWG_DMK_ALF 2015_300



8 7 6 5 4 3 2 1