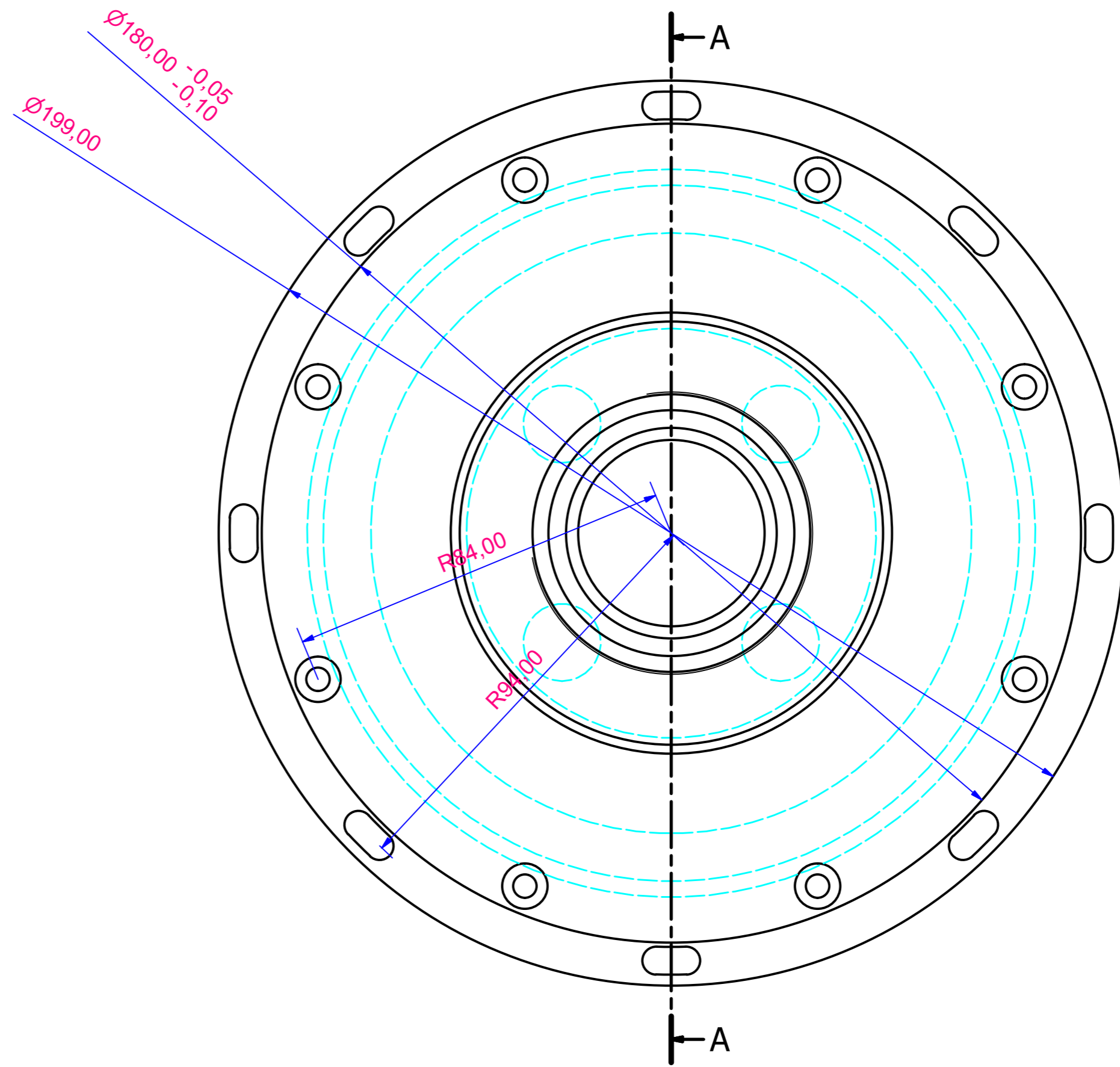
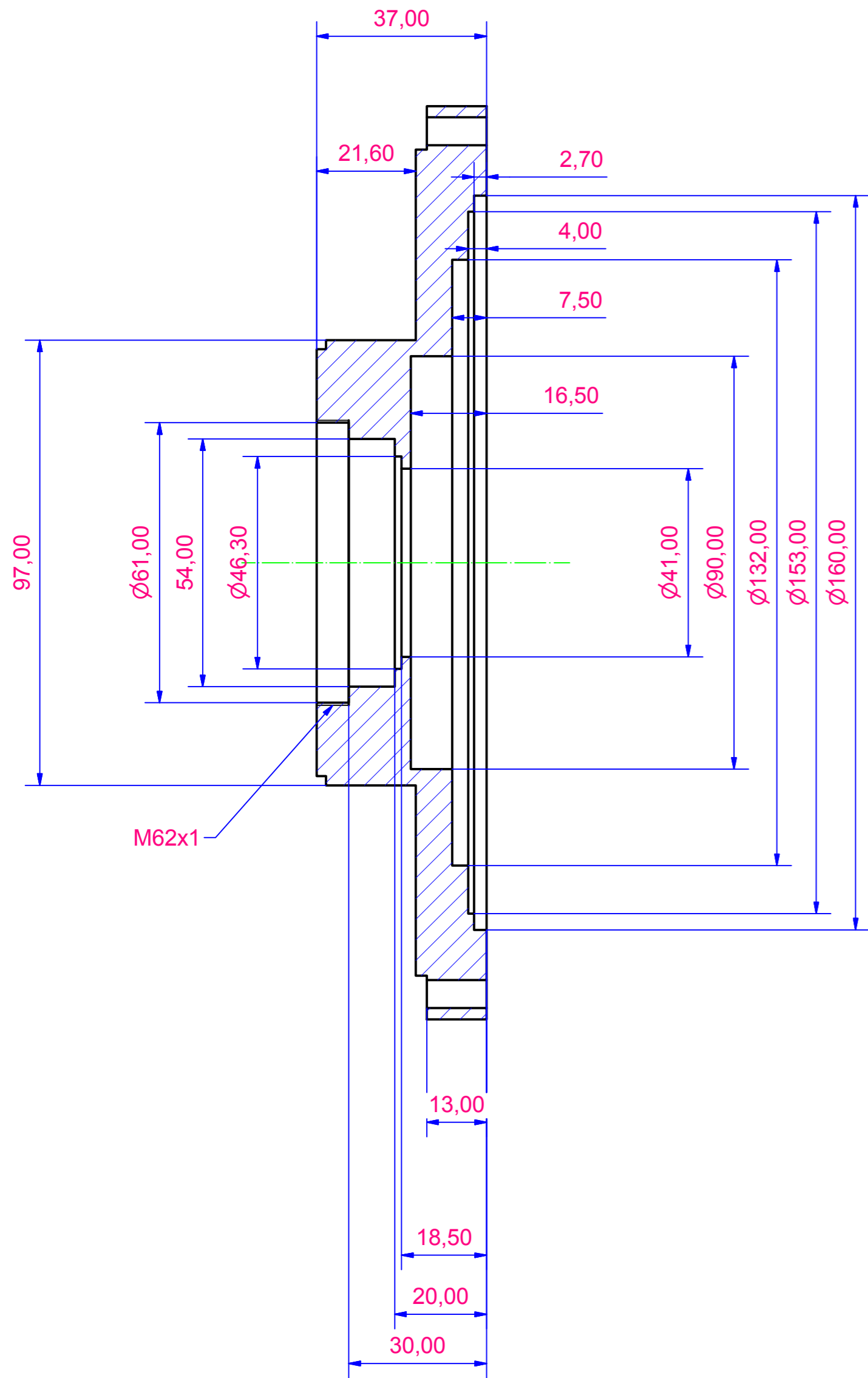


A-A (1:1)



Parts List				
ITEM	QTY	PART NUMBER	MATERIAL	MASS
1	1	FRONTFLANGE	Aluminum-6061	1,025 kg
Part Name		FRONTFLANGE 2015.ipt		Date
Designed by		Niels Michaelsen		08-05-2015
Approved By				DWG Version
Project		Ty. doc. Country		V12
WP-Number		DWG-Number		Page no
1,025 kg				1



NBI_DWG_DMK_ALF 2015_101