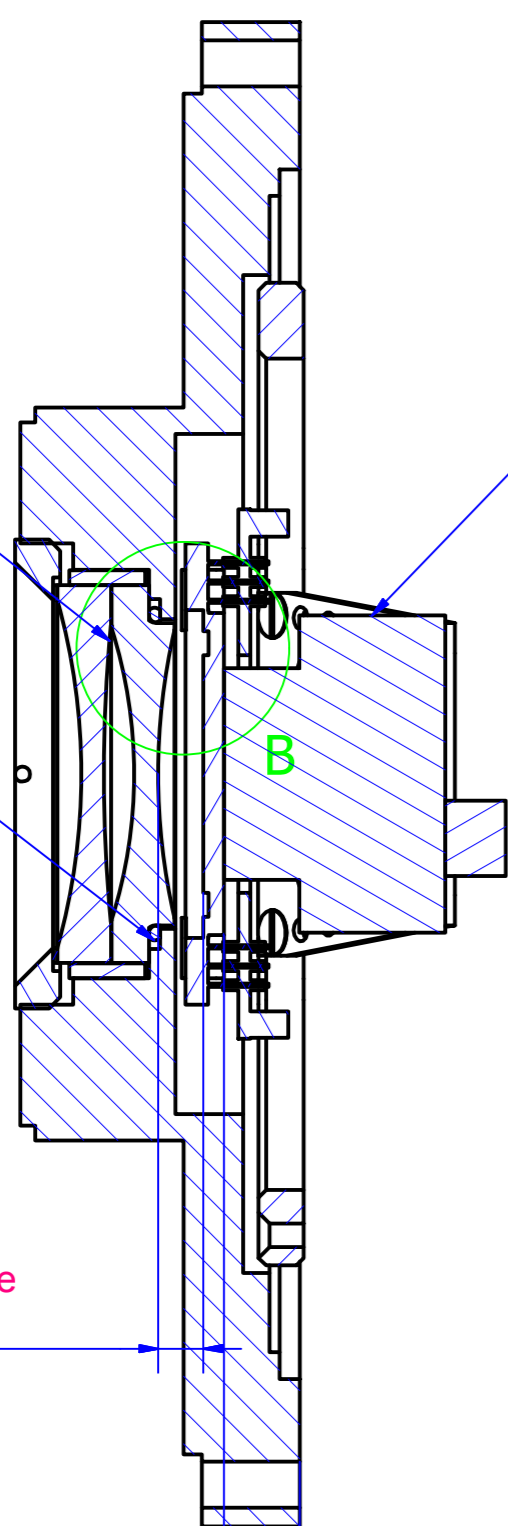
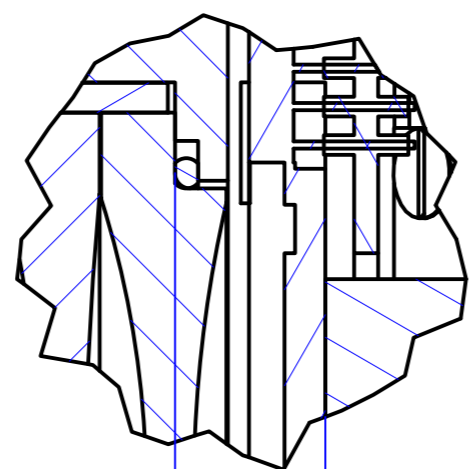


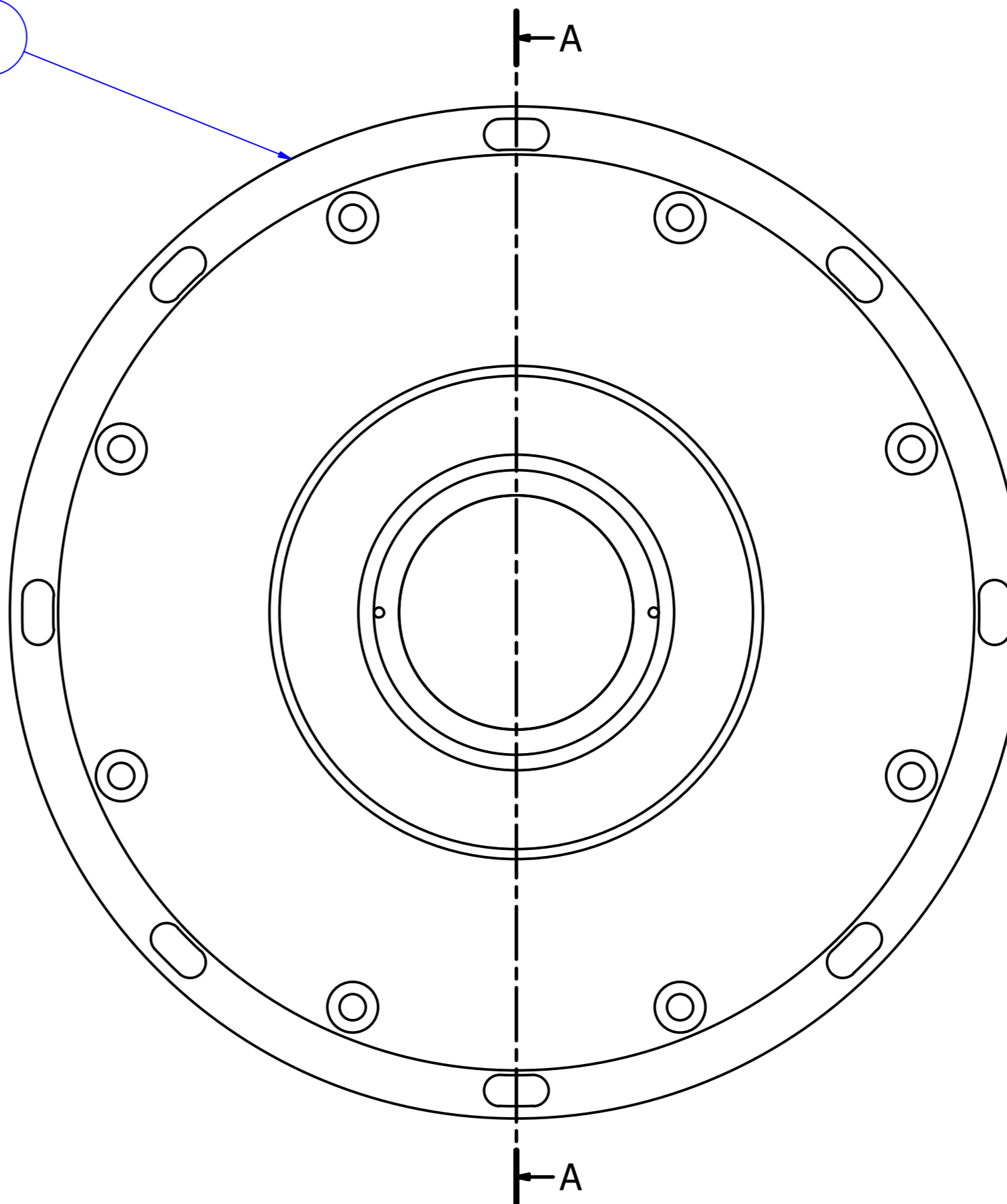
A-A (1:1)



B (2:1)



1



6,00mm from vertexes of the lens to the Focal Plane

10,07

9,93 <sup>+0,01</sup><sub>-0,01</sub> from interface of the lens to the mounting surface of the CCD

| Parts List |     |                  |               |          |
|------------|-----|------------------|---------------|----------|
| ITEM       | QTY | PART NUMBER      | MATERIAL      | MASS     |
| 1          | 1   | FRONTFLANGE 2015 | Aluminum-6061 | 1,025 kg |
| 5          | 1   | FIELDLENSES      |               | 0,121 kg |
| 6          | 1   | OringØ40x2       | Rubber        | 0,000 kg |
| 140        | 1   | 140 CCD Mount    |               | 0,254 kg |

Part Name **100\_Alfosc Front 2015.iam**

Date 08-05-2015

DWG Version V17

Page no 1

Designed by Niels Michaelsen Approved By

Project Ty. doc. Country WP-Number DWG-Number

**NBI\_DWG\_DMK\_ALF 2015\_100a**

