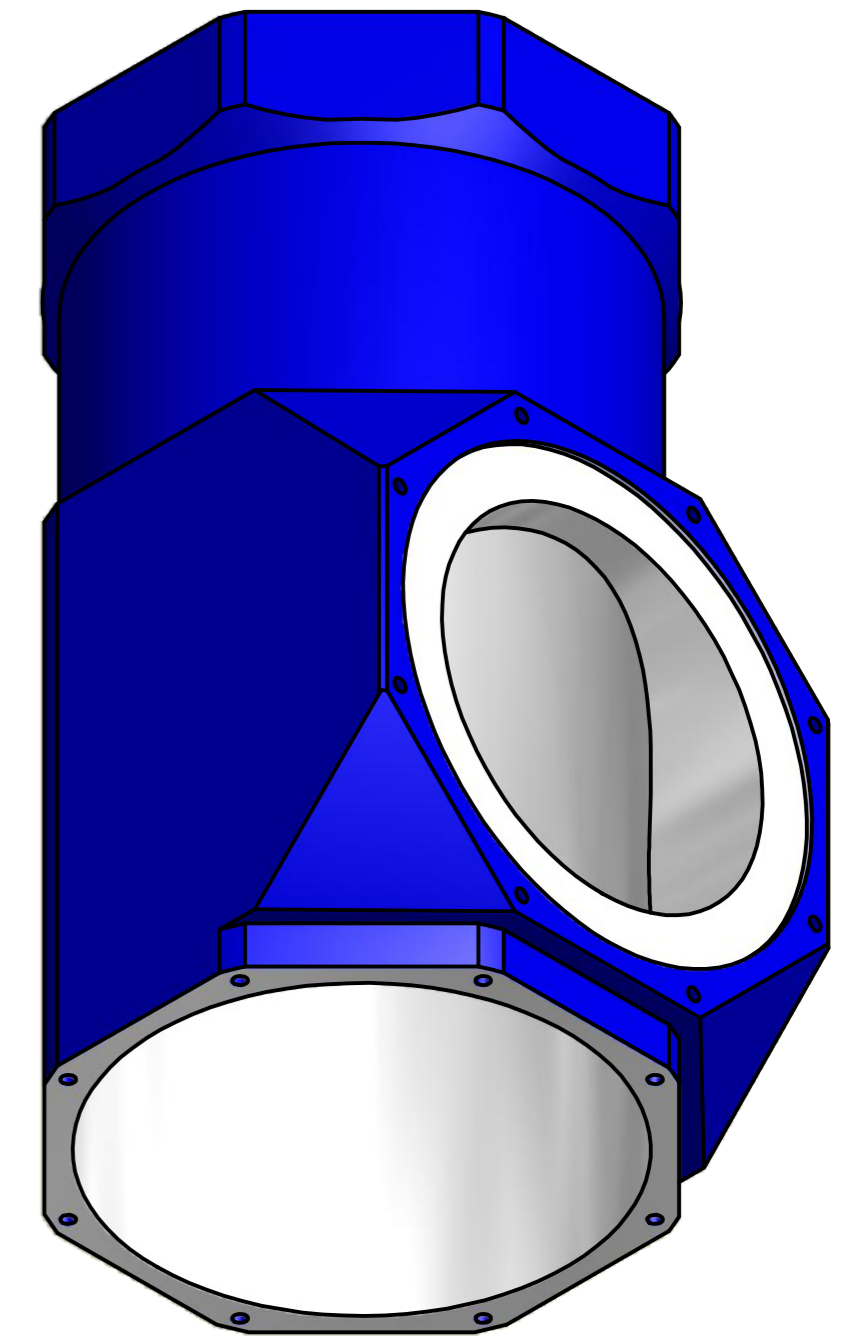
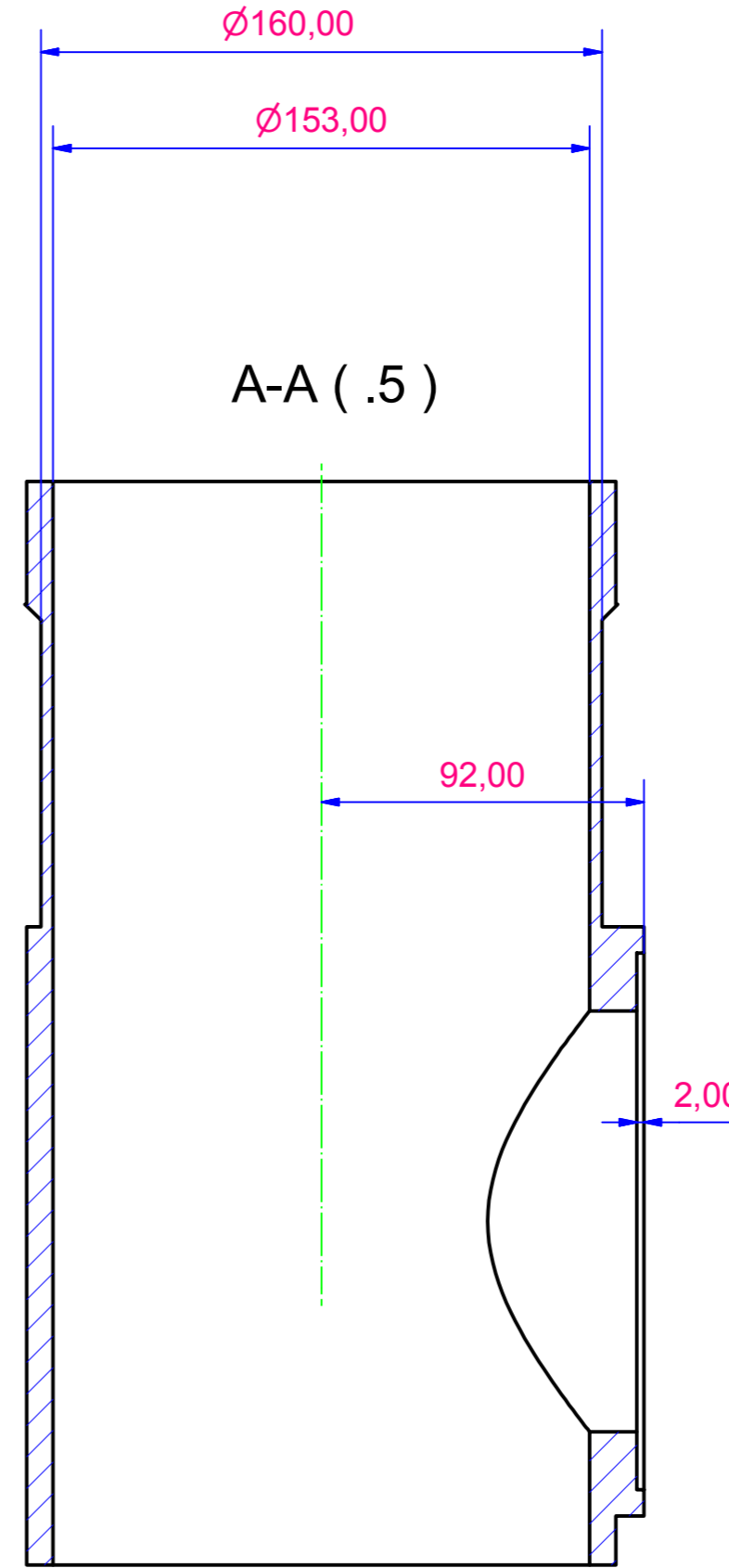
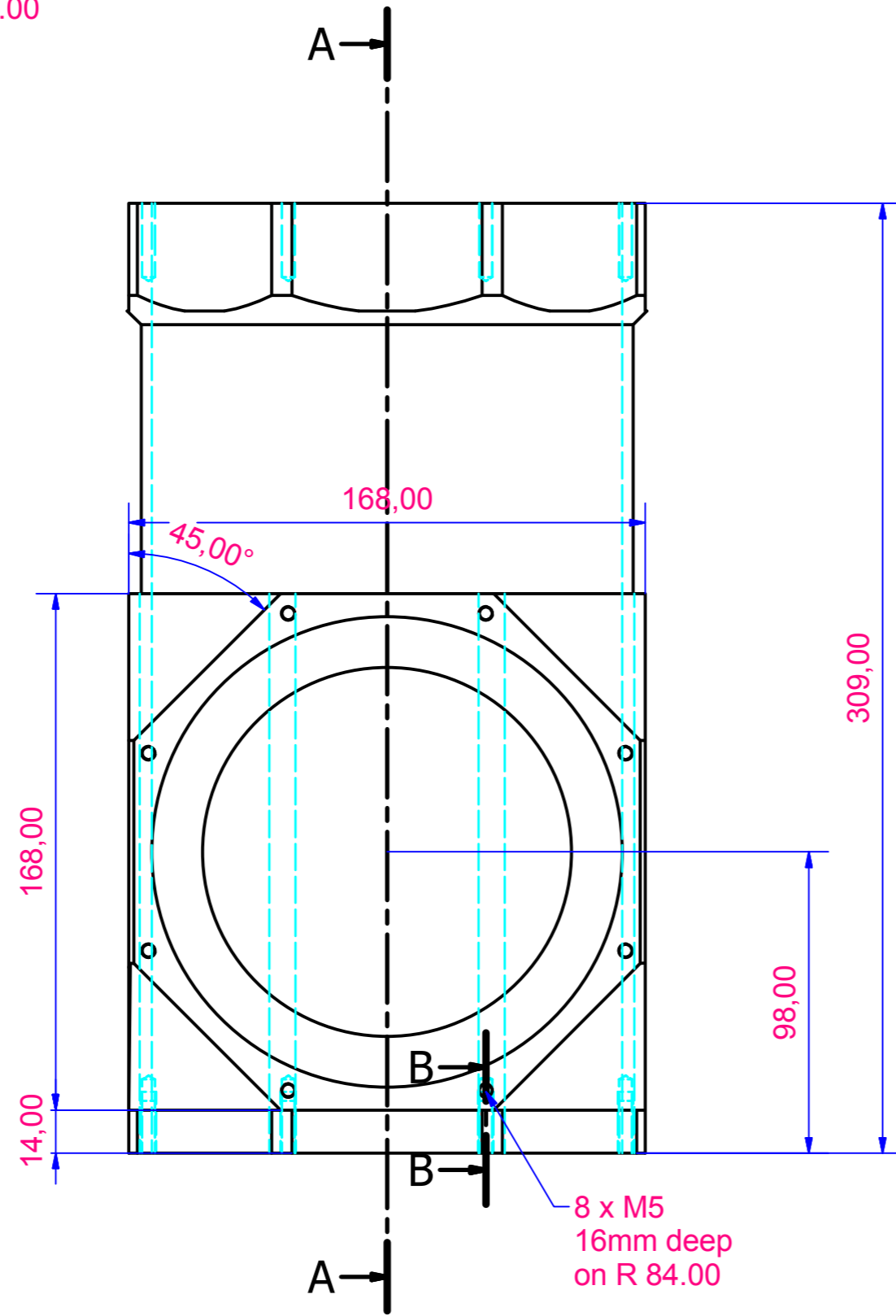
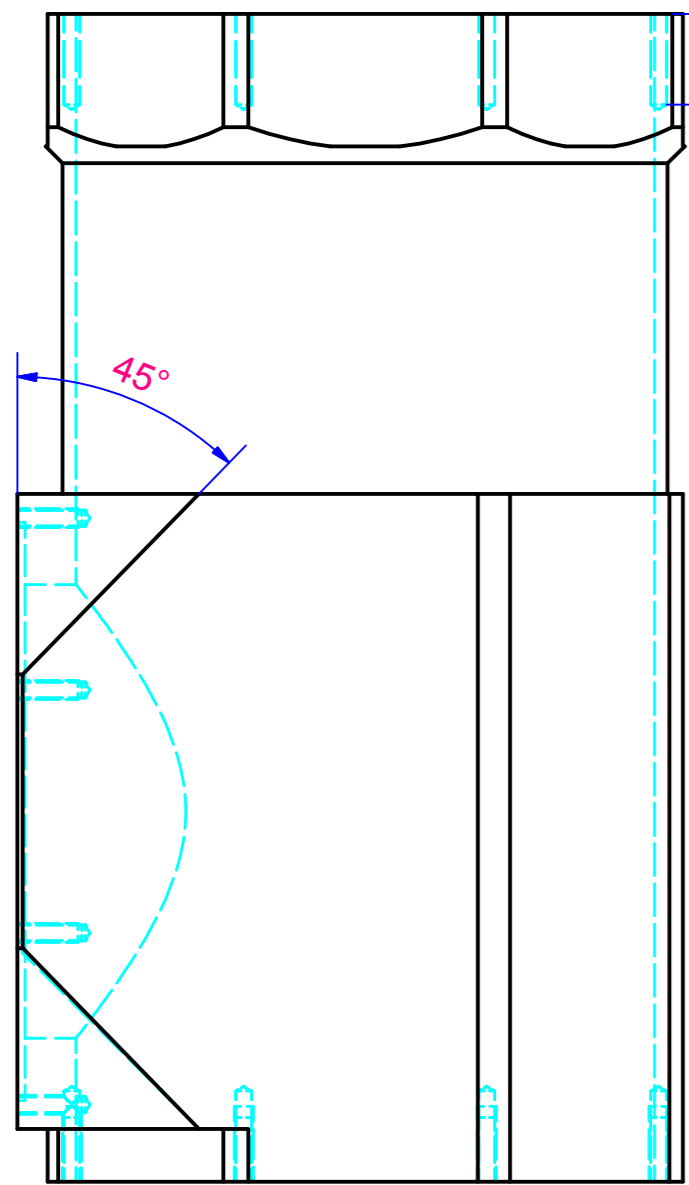
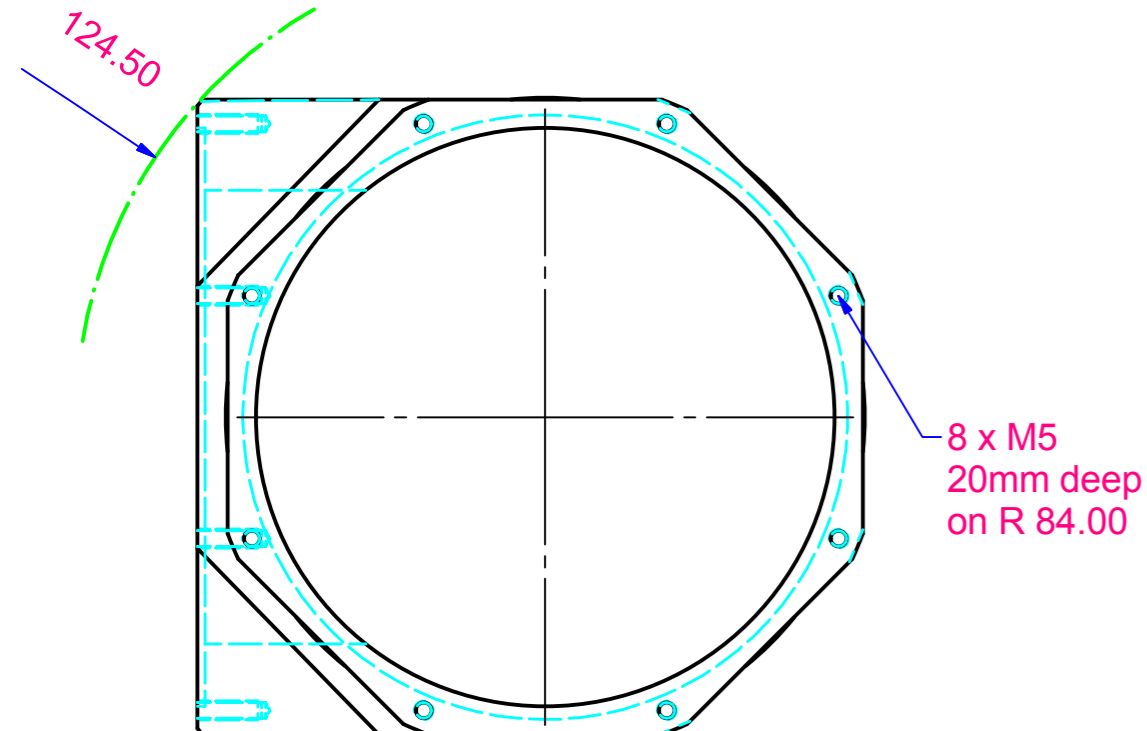
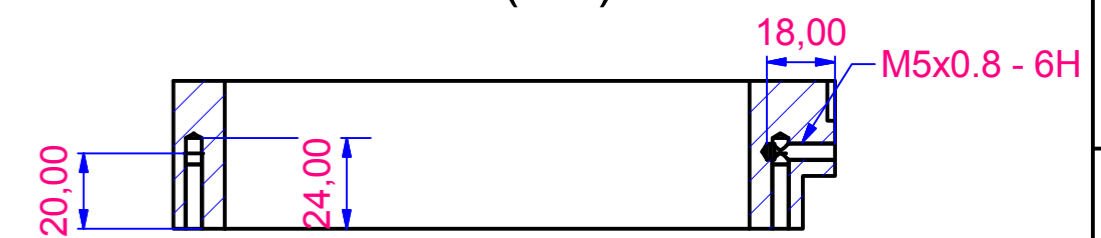


Drilled 24,00



B-B (.5)



Internal Surfaces lathe after anodizing

Parts List				
ITEM	QTY	PART NUMBER	MATERIAL	MASS
1	1	TANK #6	AlMgSi1	4,127 kg
Part Name		TANK#6.ipt		Date
				04-10-2011
				DWG Version
				V16
Designed by		Approved By		Page no
Niels Michaelsen				1
Project Number		DWG-Number		
100		- 08		

