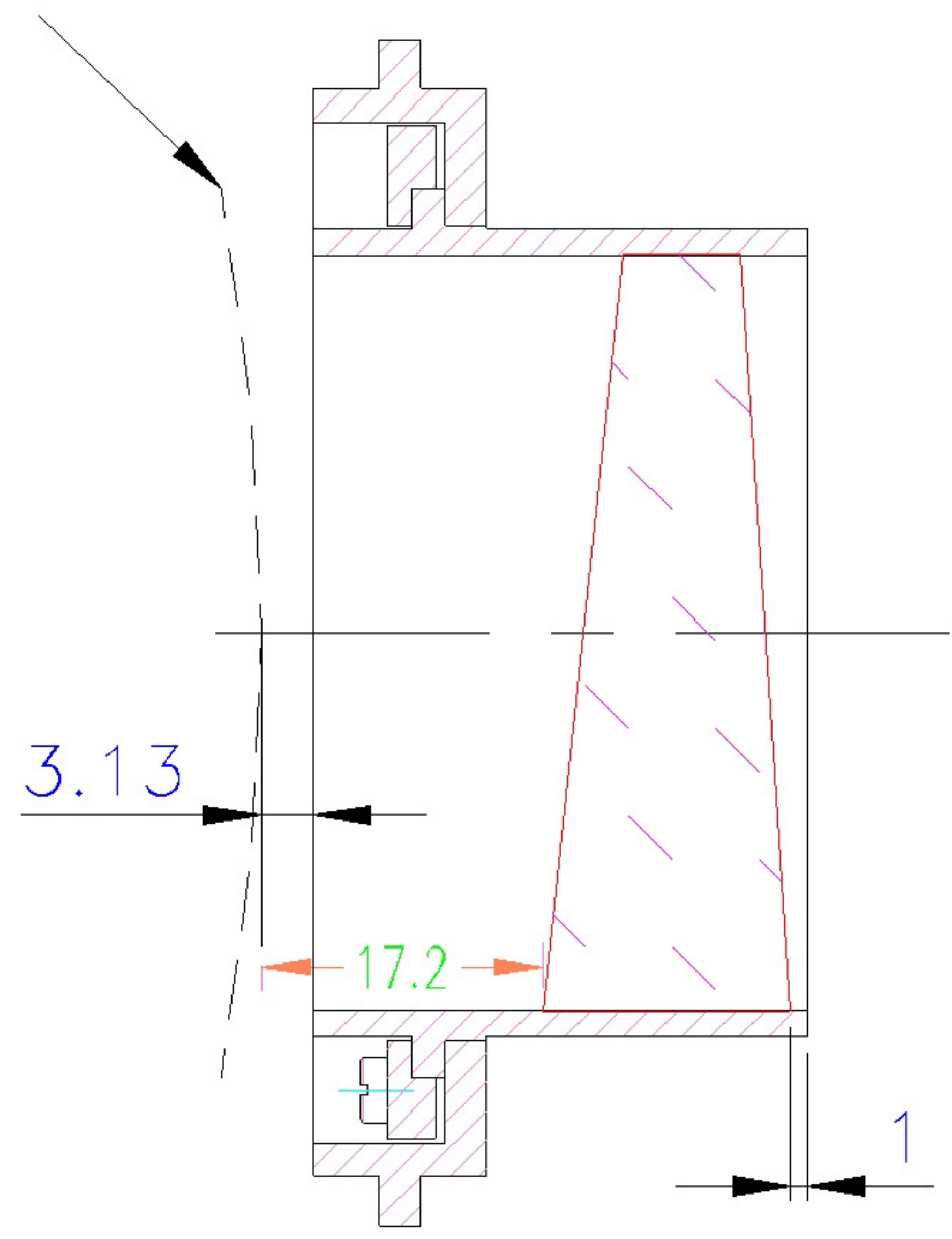


Kollimator



NO. OF PCS.:	MATERIAL.:	TOLERANCE.:	FIT TO :	MODIFIED	DATE :	ACAD DWG. NO.:	DISC. NO.:
			DF-07-00			DF-07-18	
GR.11 MOUNT				CONTR.:		PROJECT : D-FOSC	
				DATE :	07.09.93		
				DRAWN:	K.S.J.	DWG. NO.:	DF-07-18
				SCALE :	1:1		

COPENHAGEN UNIVERSITY OBSERVATORY

BRØRFELDEVEJ, DK 4340 TOLLØSE

TELF. 53 48 81 95  
FAX. 53 48 87 55

