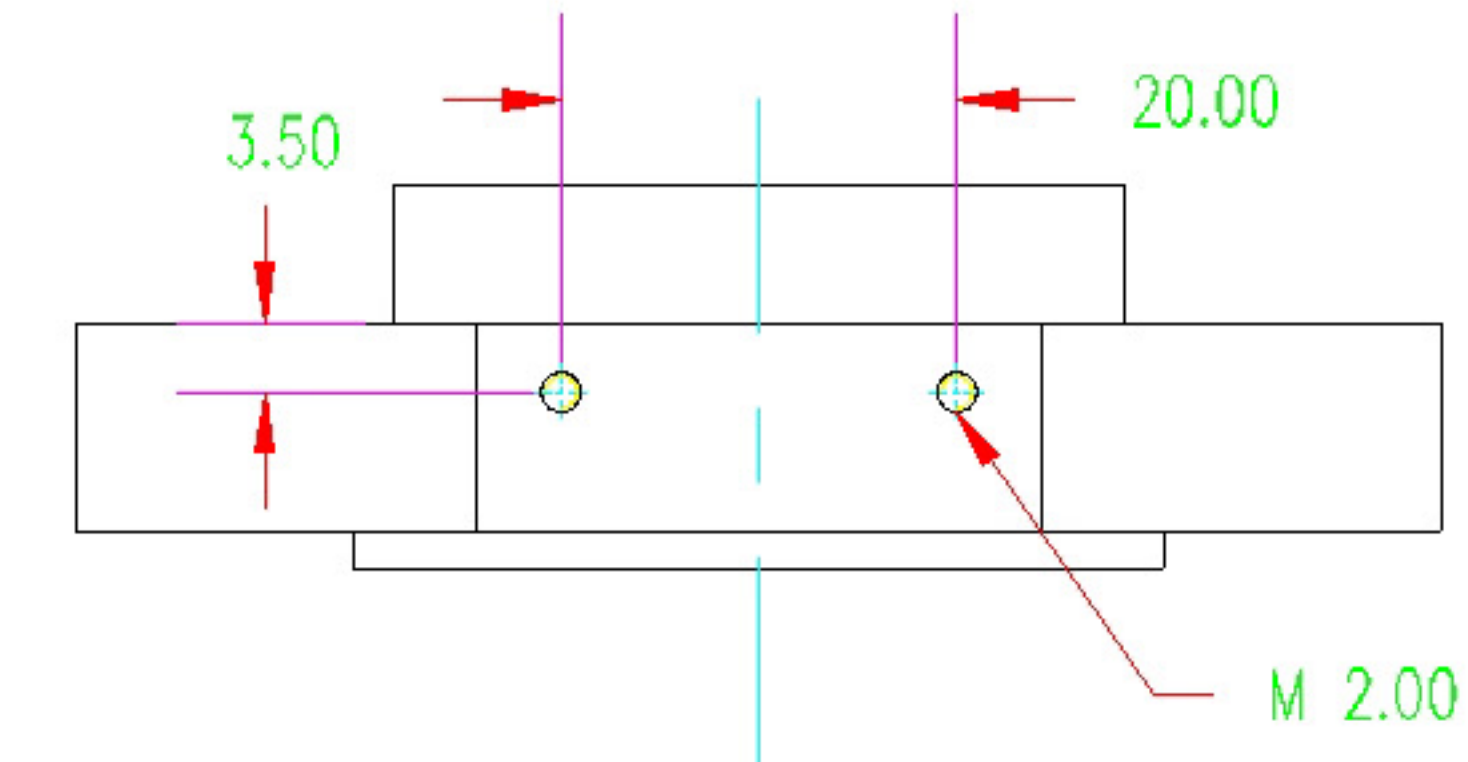
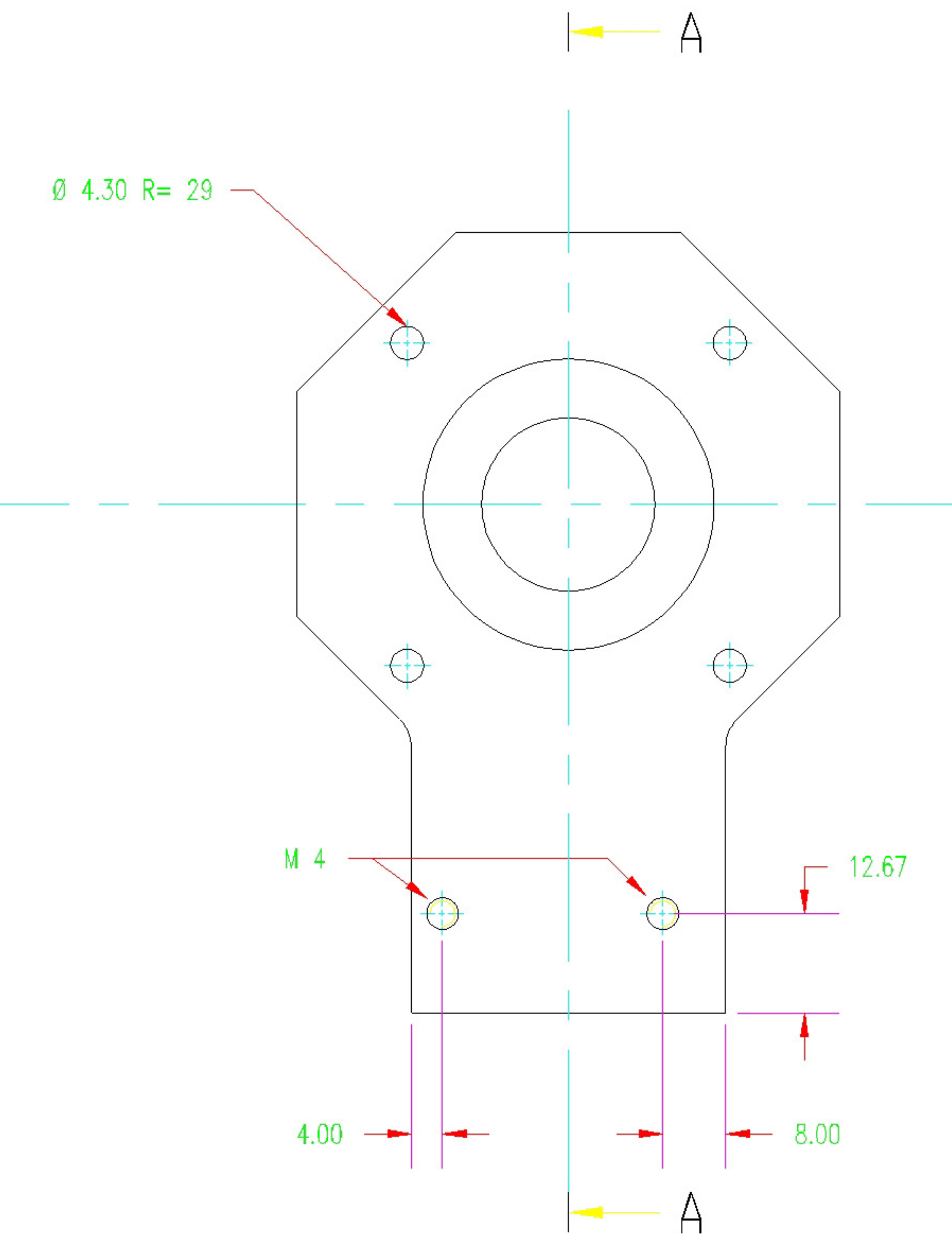
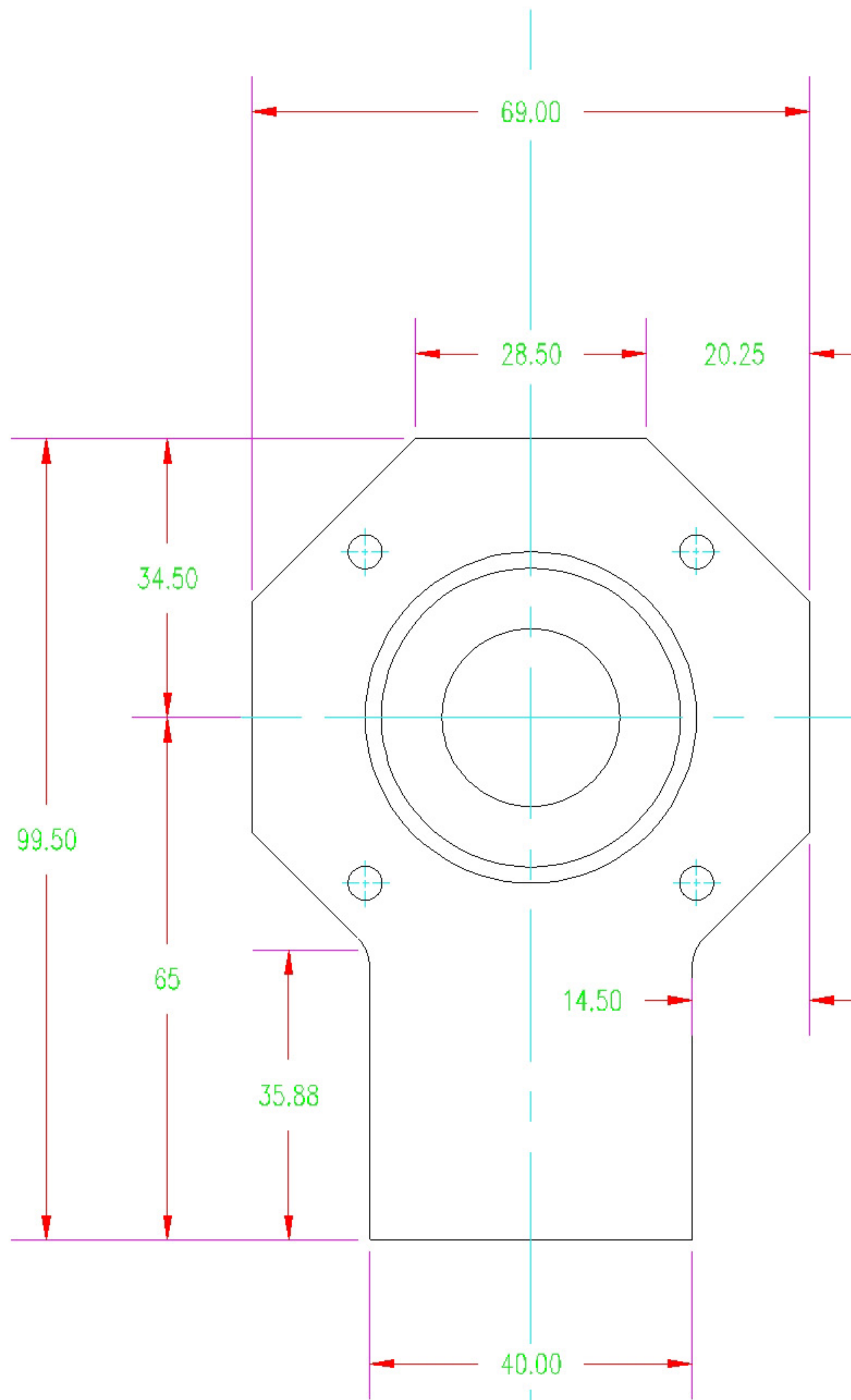


Section A-A



NO. OF PCS.:	MATERIAL:	TOLERANCE:	FIT TO:	MODIFIED	DATE:	ACAD DWG. NO.:	DISC. NO.:
1	ALU		DF-05-00			DF-05-03	
				CONTR.:		PROJECT: D-FOSC	
				DATE:	27.01.93		
				DRAWN:	K.S.J.	DWG. NO.: DF-05-03	
				SCALE:	1:1		

PLATE FOR BEARING/CONSOLE

COPENHAGEN UNIVERSITY OBSERVATORY

BRORFELDEVEJ, DK 4340 TOLLØSE TELF. 53 48 81 95 FAX. 53 48 87 55

