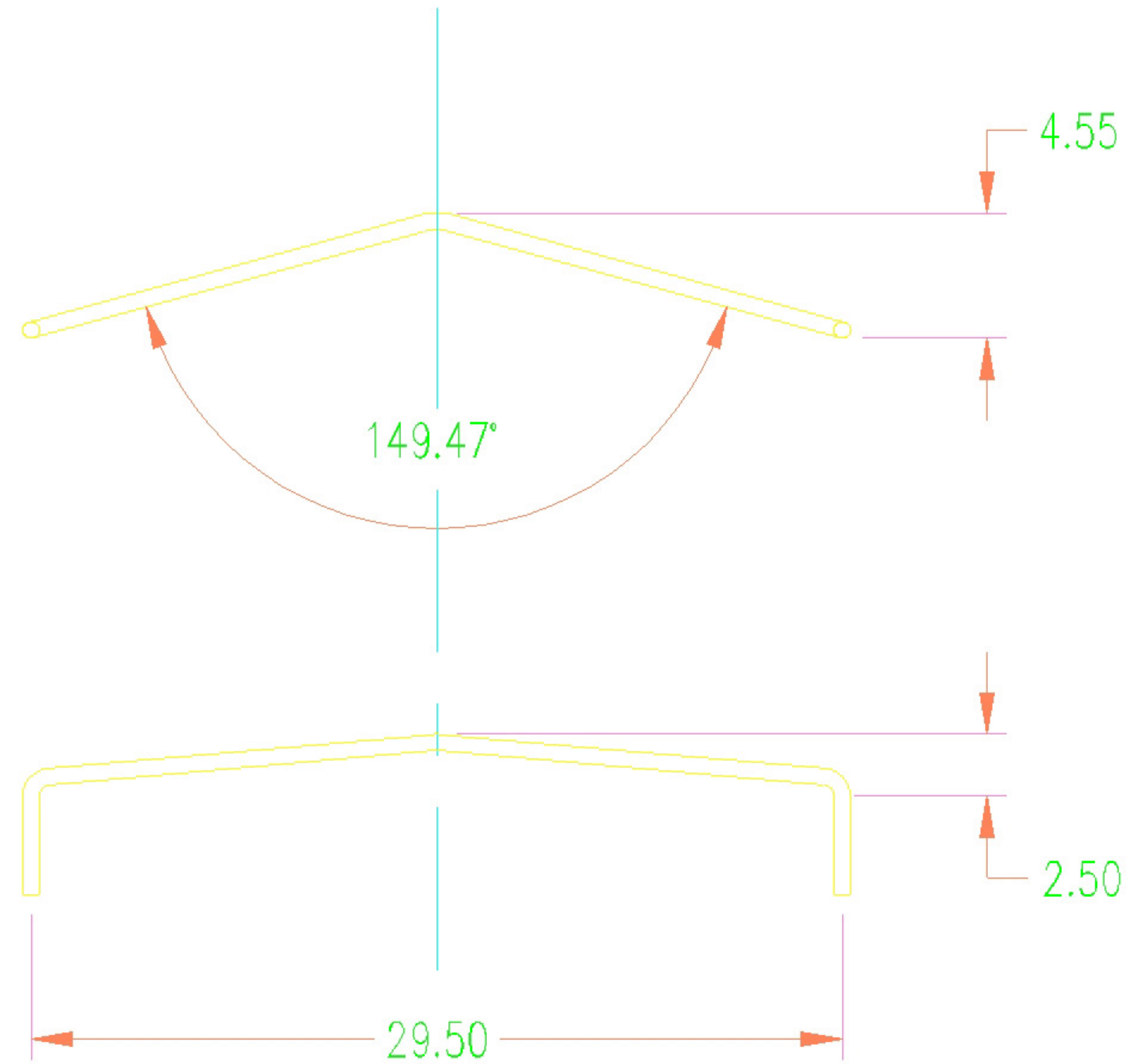
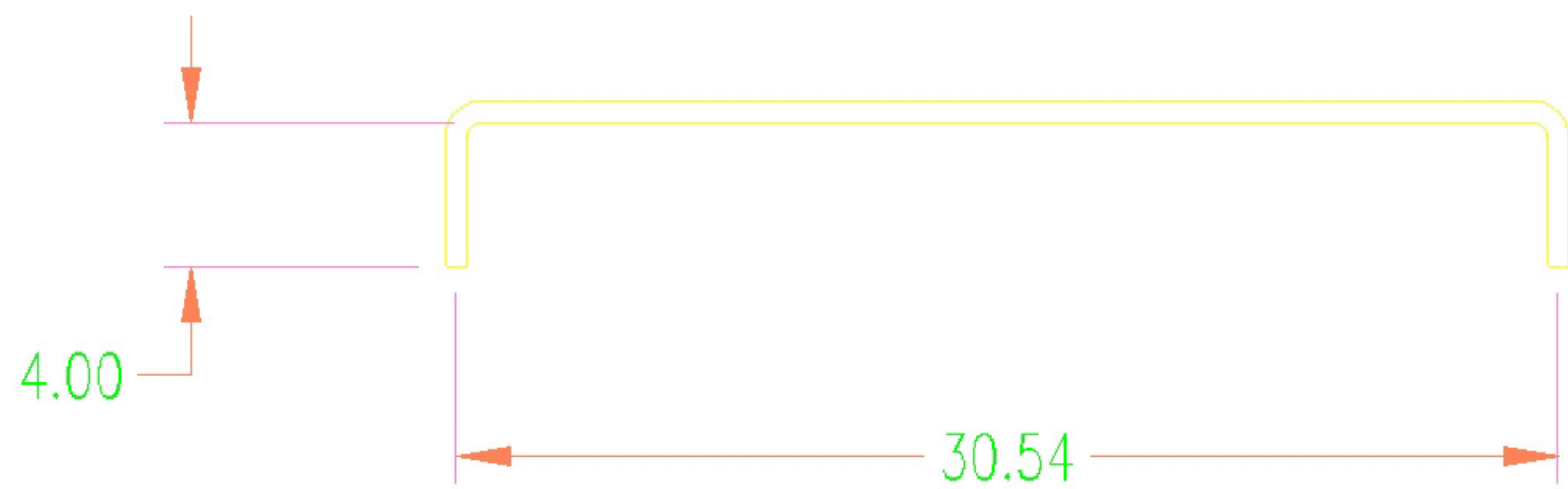
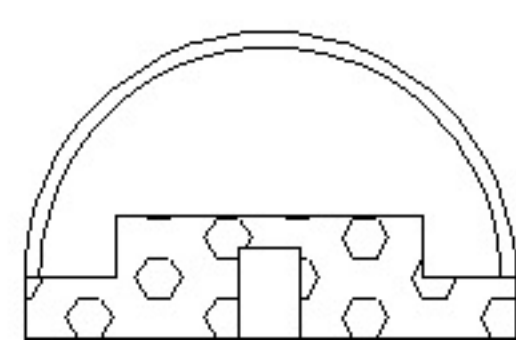




before bending at 149.47°



NO. OF PCS.:	MATERIAL:	TOLERANCE:	FIT TO:	MODIFIED	DATE:	ACAD DWG. NO.:	DISC. NO.:
3	STEEL WIRE		DF-04-00			DF-04-09	
SPRING FOR DF-04-03				CONTR.:		PROJECT: D-FOSC	
				DATE:	08.09.93		
				DRAWN:	K.S.J.	DWG. NO.: DF-04-09	
				SCALE:	2:1		



COPENHAGEN UNIVERSITY OBSERVATORY

BRØRFELDEVEJ, DK 4340 TOLLØSE

TELF. 53 48 81 95
FAX. 53 48 87 55

